

Sushi Alucompact® DEPTH 80

Designed by Bartoli Studio

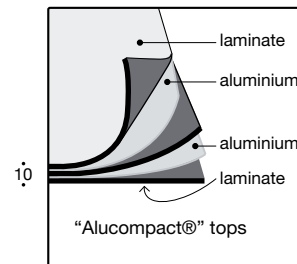
Extending or fixed table with an anodised aluminium structure and Alucompact® layered laminate tops. Alucompact® is a laminate that has been layered at a high temperature by adding sheets of aluminium in the layering phase that give it a strong structural stability. The extending mechanism with two or three extensions makes it possible to easily increase the length of the top while maintaining excellent sturdiness.

Leg finish:

Anodised aluminium
 Aluminium with white lacquer
 Aluminium with sand grey lacquer
 Aluminium with anthracite grey lacquer
 Aluminium with black lacquer

Finish of top/extensions:

White laminate
 Sand grey laminate
 Grey laminate
 Anthracite grey laminate
 Black laminate



+ It is possible to add a third extension to articles 01SUS03 (increasing the length to 33 cm).

☺ Tables that extend to more than 250 cm have a top that slightly bends, which complies with accepted quality standards.

Extensible (↔)

Code	Length (cm.)	Finish of legs	Finish of top	Vol.
01SUS01	125-165-205	aluminium	laminate	0.27
		lacquer	laminate	
01SUS03*	150-190-230	aluminium	laminate	0.39
		lacquer	laminate	

Nr. packages 3

(*) 3rd additional extension

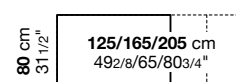
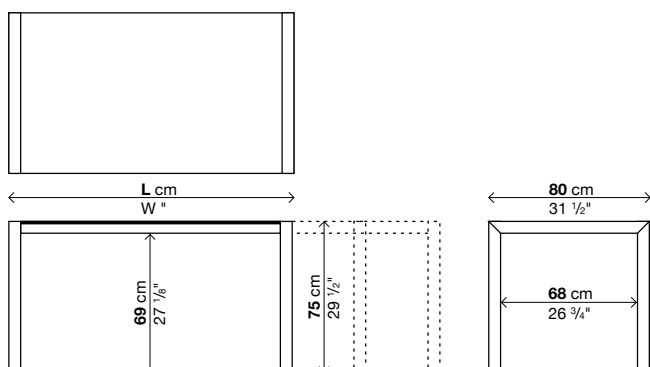
Code	Length (cm.)	Finish of top	Vol.
50SUS05A (per art. 01SUS03)	33	white	0.02
		sand grey	
		grey	
		anthracite	
		black	

Nr. packages 1

Fixed (||)

Code	Length (cm.)	Finish of legs	Finish of top	Vol.
01SUS01F	125	aluminium	laminate	0.24
		lacquer	laminate	
01SUS03F	150	aluminium	laminate	0.28
		lacquer	laminate	

Nr. packages 1



01SUS01 extensible
 01SUS01F fixed



01SUS03 extensible
 01SUS03F fixed

Sushi Alucompact® DEPTH 80

Designed by Bartoli Studio

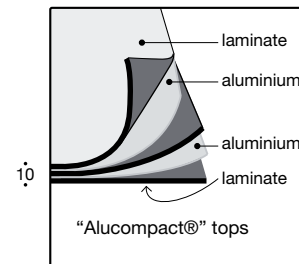
Extending or fixed table with an anodised aluminium structure and Alucompact® layered laminate tops. Alucompact® is a laminate that has been layered at a high temperature by adding sheets of aluminium in the layering phase that give it a strong structural stability. The extending mechanism with two or three extensions makes it possible to easily increase the length of the top while maintaining excellent sturdiness.

Leg finish:

- Anodised aluminium
- Aluminium with white lacquer
- Aluminium with sand grey lacquer
- Aluminium with anthracite grey lacquer
- Aluminium with black lacquer

Finish of top/extensions:

- White laminate
- Sand grey laminate
- Grey laminate
- Anthracite grey laminate
- Black laminate



+ It is possible to add a third extension to articles 01SUS03 (increasing the length to 33 cm).

⤵ Tables that extend to more than 250 cm have a top that slightly bends, which complies with accepted quality standards.

Extensible (↔)

Code	Length (cm.)	Finish of legs	Finish of top	Vol.
01SUS01	125-165-205	aluminium	laminate	0.27
		lacquer	laminate	
01SUS03*	150-190-230	aluminium	laminate	0.39
		lacquer	laminate	

Nr. packages 3

Fixed (||)

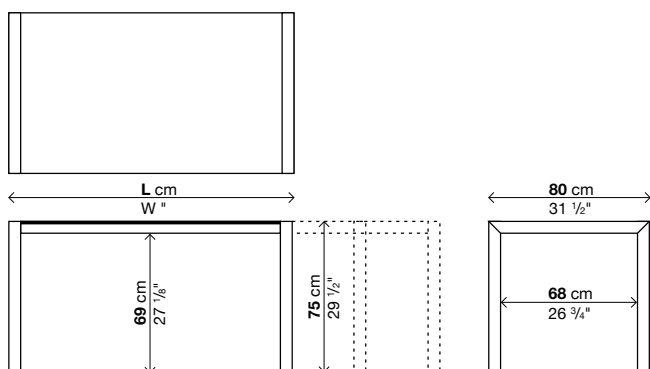
Code	Length (cm.)	Finish of legs	Finish of top	Vol.
01SUS01F	125	aluminium	laminate	0.24
		lacquer	laminate	
01SUS03F	150	aluminium	laminate	0.28
		lacquer	laminate	

Nr. packages 1

(*) 3rd additional extension

Code	Length (cm.)	Finish of top	Vol.
50SUS05A (per art. 01SUS03)	33	white	0.02
		sand grey	
		grey	
		anthracite	
		black	

Nr. packages 1



80 cm 31 1/2"	125/165/205 cm 49 2/8/65/80 3/4"	01SUS01 extensible 01SUS01F fixed
	150/190/230 cm 59/74 7/8/90 1/2"	01SUS03 extensible 01SUS03F fixed

Sushi Alucompact® DEPTH 100

Designed by Bartoli Studio

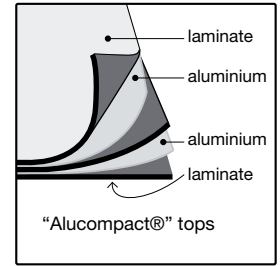
Extending or fixed table with an anodised aluminium structure and Alucompact® layered laminate tops. Alucompact® is a laminate that has been layered at a high temperature by adding sheets of aluminium in the layering phase that give it a strong structural stability. The extending mechanism with two or three extensions makes it possible to easily increase the length of the top while maintaining excellent sturdiness.

Leg finish:

- Anodised aluminium
- Aluminium with white lacquer
- Aluminium with sand grey lacquer
- Aluminium with anthracite grey lacquer
- Aluminium with black lacquer

Finish of top/extensions:

- White laminate
- Sand grey laminate
- Grey laminate
- Anthracite grey laminate
- Black laminate



! Please note: sizes marked with (!) have longer delivery times: approximately 8 weeks from order date.

+ It is possible to add a third extension to articles 01SUS02 (increasing the length to 33 cm).

☺ Tables that extend to more than 250 cm have a top that slightly bends, which complies with accepted quality standards.

Extensible (↔)

Code	Length (cm.)	Finish of legs	Finish of top	Vol.
01SUS02*	177-224-271	aluminium	laminate	0.46
		lacquer	laminate	
01SUS04	100-170	aluminium	laminate	0.23
		lacquer	laminate	

Nr. packages 3 (01SUS02) - Nr. packages 1 (01SUS04)

(*) 3rd additional extension

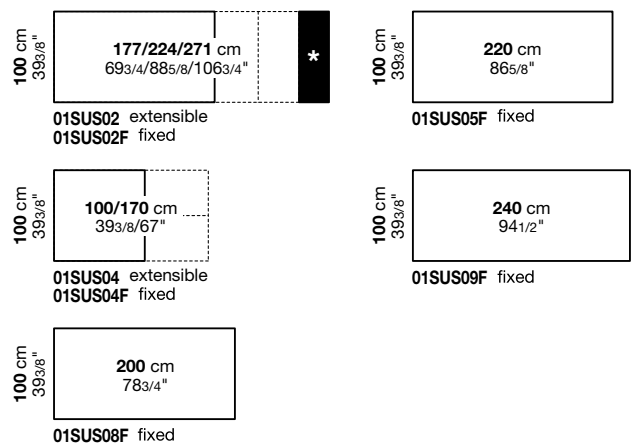
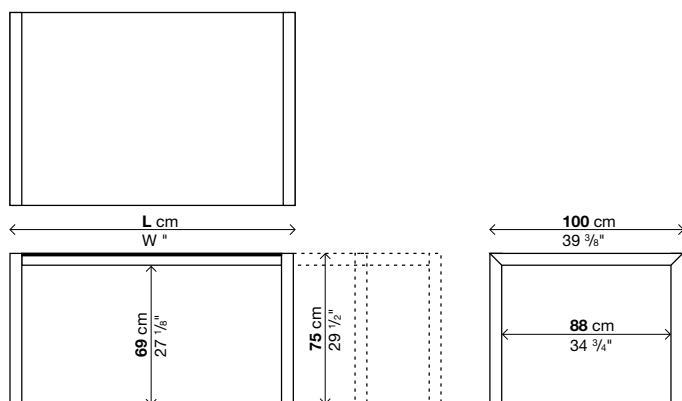
Code	Length (cm.)	Finish of top	Vol.
50SUS06A (per art.01SUS02)	33	white	0.03
		sand grey	
		grey	
		anthracite	
		black	

Nr. packages 1

Fixed (||)

Code	Length (cm.)	Finish of legs	Finish of top	Vol.
01SUS02F	177	aluminium	laminate	0.40
		lacquer	laminate	
01SUS08F	200 (!)	aluminium	laminate	0.45
		lacquer	laminate	
01SUS05F	220	aluminium	laminate	0.49
		lacquer	laminate	
01SUS09F	240 (!)	aluminium	laminate	0.53
		lacquer	laminate	
01SUS04F	100	aluminium	laminate	0.23
		lacquer	laminate	

Nr. packages 1



Sushi Pure-white

Designed by Bartoli Studio

The larger versions of the Sushi table are available with a "Pure-white" finish: entirely white on the surface and along the extremely narrow edge of the top, usually with visible black and aluminium layers. This option enhances the completely minimalist look of these solutions, making them even more surprisingly simple and charmingly elegant.

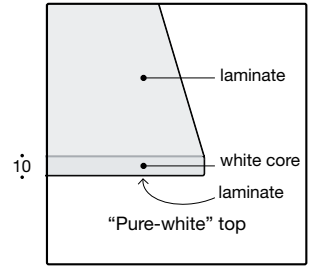
Leg finish:

Anodised aluminium

Aluminium with white lacquer

Finish of top/extensions:

"Pure-white" laminate (colour reference "White laminate Tuttocolore")



+ It is possible to add a third extension to articles 01SUS07 (increasing the length to 37,5 cm).

☺ Tables that extend to more than 250 cm have a top that slightly bends, which complies with accepted quality standards.

Extensible (↔)

Code	Length (cm.)	Depth	Finish of legs	Finish of top	Vol.
01SUS07*	150-187-225	90	aluminium lacquer	Pure-white Pure-white	0.39
01SUS06 <i>3rd standard extension</i>	177-214-252-290	90	aluminium lacquer	Pure-white Pure-white	0.51
01SUS05	220-267-314	100	aluminium lacquer	Pure-white Pure-white	0.55

Nr. packages 3 (01SUS07 / 01SUS05) - Nr. packages 4 (01SUS06)

(*) 3rd additional extension

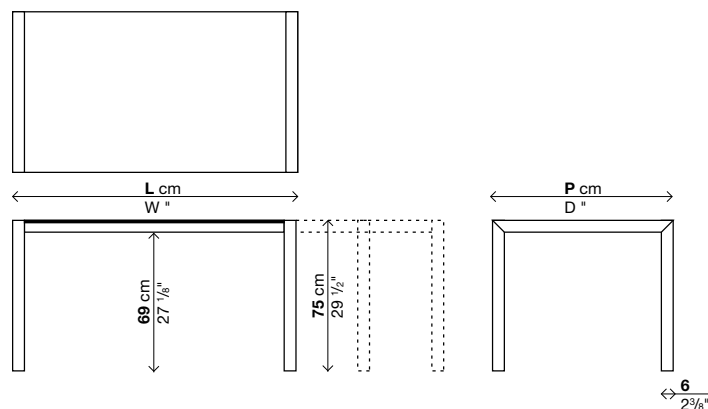
Code	Length (cm.)	Finish of top	Vol.
50SUS02A (per art.01SUS07)	37,5	Pure-white	0.03

Nr. packages 1

Fixed (||)

Code	Length (cm.)	Depth	Finish of legs	Finish of top	Vol.
01SUS07F	150	90	aluminium lacquer	Pure-white Pure-white	0.31
01SUS06F	177	90	aluminium lacquer	Pure-white Pure-white	0.45
01SUS05F	220	100	aluminium lacquer	Pure-white Pure-white	0.49

Nr. packages 1



90 cm 35 1/2"	150/187/225 cm 59/73 5/8/88 5/8"	*
01SUS07 extensible 01SUS07F fixed		
90 cm 35 1/2"	177/214/252/290 cm 69 3/4/84 2/8/99 2/8/114 1/8"	
01SUS06 extensible 01SUS06F fixed		
100 cm 39 3/8"	220/267/314 cm 86 5/8/105 1/8/123 5/8"	
01SUS05 extensible 01SUS05F fixed		

Sushi glass **DEPTH 80**

Designed by Bartoli Studio

Extending or fixed table with an anodised aluminium structure, full-bodied painted top, extensions in Alucompact® layered laminate.

Leg finish:

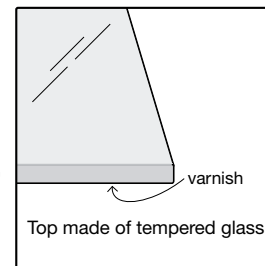
Anodised aluminium
Aluminium with white lacquer
Aluminium with black lacquer

Finish of top:

Gloss green glass
Gloss glass in standard colours: extra white, anthracite, black, titanium
Gloss glass in RAL/NCS range colours on request
Matt glass in colours: extra white, anthracite grey, black, titanium

Finish of extensions:

White laminate
Sand grey laminate
Grey laminate
Anthracite grey laminate
Black laminate



! Please note: variations in shade against selected RAL/NCS sample cannot be avoided and are caused by colour refracting through the thickness of the glass.

Glass in RAL/NCS shades has longer lead times: approximately 8 weeks from order date.

+ It is possible to add a third extension to articles 01SUS13 (increasing the length to 33 cm).

☺ Tables that extend to more than 250 cm have a top that slightly bends, which complies with accepted quality standards.

Extensible (↔)

Code	Length (cm.)	Finish of legs	Finish of top	Vol.
01SUS11	125-165-205	aluminium	gloss green	0.27
			gloss in standard	
			gloss in RAL/NCS (!)	
		lacquer	matt glass	
			gloss in standard	
			gloss in RAL/NCS (!)	
01SUS13*	150-190-230	aluminium	matt glass	0.39
			gloss in standard	
			gloss in RAL/NCS (!)	
		lacquer	matt glass	
			gloss in standard	
			gloss in RAL/NCS (!)	

Nr. packages 3

Fixed (||)

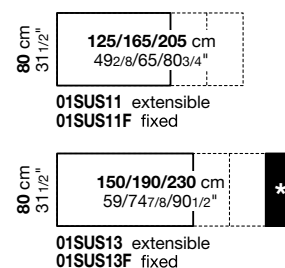
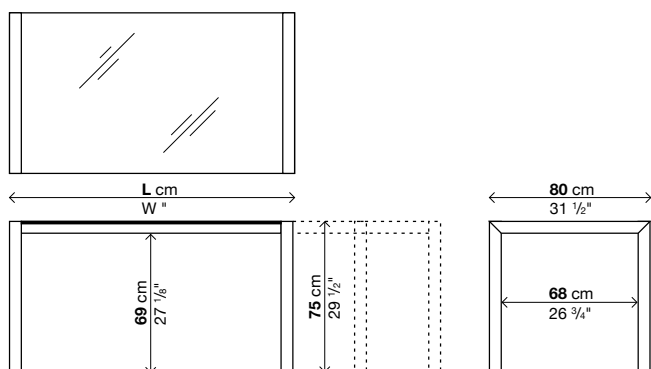
Code	Length (cm.)	Finish of legs	Finish of top	Vol.
01SUS11F	125	aluminium	gloss green	0.24
			gloss in standard	
			gloss in RAL/NCS (!)	
		lacquer	matt glass	
			gloss in standard	
			gloss in RAL/NCS (!)	
01SUS13F	150	aluminium	matt glass	0.28
			gloss in standard	
			gloss in RAL/NCS (!)	
		lacquer	matt glass	
			gloss in standard	
			gloss in RAL/NCS (!)	

Nr. packages 1

(*) 3rd additional extension

Code	Length (cm.)	Finish of top	Vol.
50SUS05A (per art. 01SUS13)	33	white	0.02
		sand grey	
		grey	
		anthracite	
		black	

Nr. packages 1



Sushi glass DEPTH 90

Designed by Bartoli Studio

Extending or fixed table with an anodised aluminium structure, full-bodied painted top, extensions in Alucompact® layered laminate.

Leg finish:

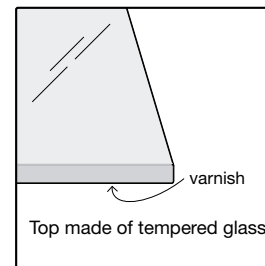
Anodised aluminium
Aluminium with white lacquer
Aluminium with black lacquer

Finish of top:

Gloss green glass
Gloss glass in standard colours: extra white, anthracite, black, titanium
Gloss glass in RAL/NCS range colours on request
Matt glass in colours: extra white, anthracite grey, black, titanium

Finish of extensions:

White laminate
Sand grey laminate
Grey laminate
Anthracite grey laminate
Black laminate



! Please note: variations in shade against selected RAL/NCS sample cannot be avoided and are caused by colour refracting through the thickness of the glass.

Glass in RAL/NCS shades has longer lead times: approximately 8 weeks from order date.

+ It is possible to add a third extension to articles 01SUS17 (increasing the length to 37,5 cm).

☺ Tables that extend to more than 250 cm have a top that slightly bends, which complies with accepted quality standards.

Extensible (↔)

Code	Length (cm.)	Finish of legs	Finish of top	Vol.
01SUS17*	150-187-225	aluminium	gloss green	0.36
			gloss in standard	
			gloss in RAL/NCS (!)	
		lacquer	matt glass	
			gloss in standard	
			gloss in RAL/NCS (!)	
01SUS15	177-214-252-290	aluminium	gloss green	0.42
			gloss in standard	
			gloss in RAL/NCS (!)	
		lacquer	matt glass	
			gloss in standard	
			gloss in RAL/NCS (!)	
<i>3 rd standard extension</i>			matt glass	

Nr. packages 3 (01SUS17) - Nr. packages 4 (01SUS15)

(*) 3rd additional extension

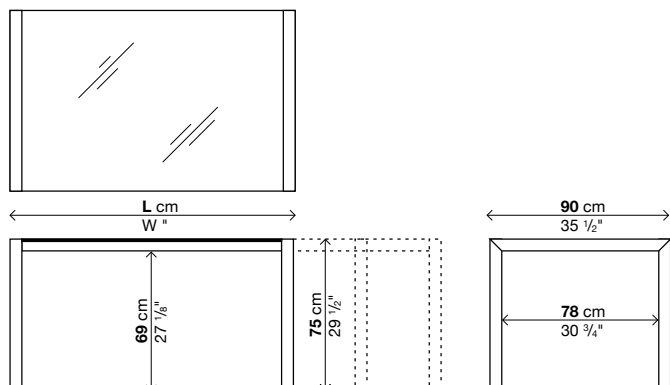
Code	Length (cm.)	Finish of top	Vol.
50SUS02A (per art.01SUS17)	37,5	white	0.02
		sand grey	
		grey	
		anthracite	
		black	

Nr. packages 1

Fixed (||)

Code	Length (cm.)	Finish of legs	Finish of top	Vol.
01SUS17F	150	aluminium	gloss green	0.32
			gloss in standard	
			gloss in RAL/NCS (!)	
		lacquer	matt glass	
			gloss in standard	
			gloss in RAL/NCS (!)	
01SUS15F	177	aluminium	gloss green	0.36
			gloss in standard	
			gloss in RAL/NCS (!)	
		lacquer	matt glass	
			gloss in standard	
			gloss in RAL/NCS (!)	
			matt glass	

Nr. packages 1



90 cm 35 1/2"	150/187/225 cm 59/73 5/8/88 5/8"	*
01SUS17 extensible 01SUS17F fixed		
90 cm 35 1/2"	177/214/252/290 cm 69 3/4/84 2/8/99 2/8/114 1/8"	
01SUS15 extensible 01SUS15F fixed		

Sushi glass **DEPTH 100** **DEPTH 140**

Designed by Bartoli Studio

Extending or fixed table with an anodised aluminium structure, full-bodied painted top, extensions in Alucompact® layered laminate.

Leg finish:

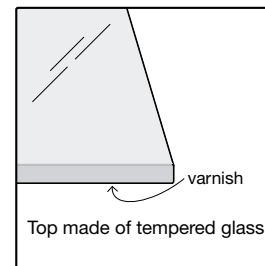
- Anodised aluminium
- Aluminium with white lacquer
- Aluminium with black lacquer

Finish of top:

- Gloss green glass
- Gloss glass in standard colours: extra white, anthracite, black, titanium
- Gloss glass in RAL/NCS range colours on request
- Matt glass in colours: extra white, anthracite grey, black, titanium

Finish of extensions:

- White laminate
- Sand grey laminate
- Grey laminate
- Anthracite grey laminate
- Black laminate



! Please note: variations in shade against selected RAL/NCS sample cannot be avoided and are caused by colour refracting through the thickness of the glass.

Glass in RAL/NCS shades and sizes marked with (!) have longer lead times: approximately 8 weeks from order date.

+ It is possible to add a third extension to articles 01SUS12 (increasing the length to 33 cm).

☺ Tables that extend to more than 250 cm have a top that slightly bends, which complies with accepted quality standards.

Extensible (↔)

Code	Length (cm.)	Finish of legs	Finish of top	Vol.
01SUS12*	177-225-271	aluminium	gloss green	0.46
			gloss in standard	
			gloss in RAL/NCS (!)	
		lacquer	matt glass	
			gloss in standard	
			gloss in RAL/NCS (!)	
01SUS14	100-170	aluminium	gloss green	0.23
			gloss in standard	
			gloss in RAL/NCS (!)	
		lacquer	matt glass	
			gloss in standard	
			gloss in RAL/NCS (!)	

Nr. packages 3 (01SUS12) - Nr. packages 1 (01SUS14)

(*) 3rd additional extension

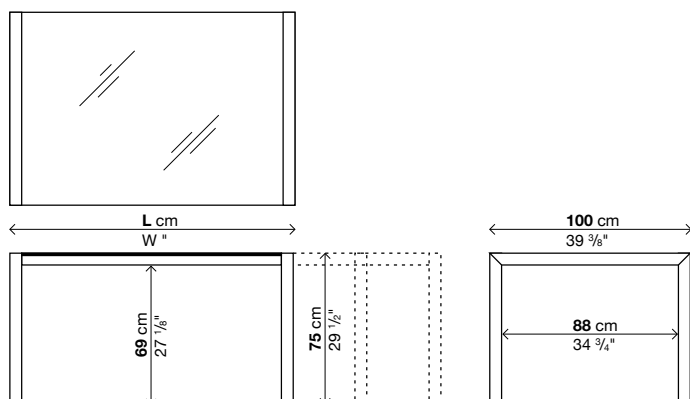
Code	Length (cm.)	Finish of top	Vol.
50SUS06A (per art.01SUS12)	33	white	0.03
		sand grey	
		grey	
		anthracite	
		black	

Nr. packages 1

Fixed (||)

Code	Length (cm.)	Finish of legs	Finish of top	Vol.
01SUS12F	177	aluminium	gloss green	0.40
			gloss in standard	
			gloss in RAL/NCS (!)	
		lacquer	matt glass	
			gloss in standard	
			gloss in RAL/NCS (!)	
01SUS16F	200 (!)	aluminium	gloss in standard	0.45
			gloss in RAL/NCS	
			matt glass	
		lacquer	gloss in standard	
			gloss in RAL/NCS	
			matt glass	
01SUS19F	220	aluminium	gloss in standard	0.49
			gloss in RAL/NCS (!)	
			matt glass	
		lacquer	gloss in standard	
			gloss in RAL/NCS (!)	
			matt glass	
01SUS50F	240 (!)	aluminium	gloss in standard	0.53
			gloss in RAL/NCS	
			matt glass	
		lacquer	gloss in standard	
			gloss in RAL/NCS	
			matt glass	
01SUS14F	100	aluminium	gloss green	0.23
			gloss in standard	
			gloss in RAL/NCS (!)	
		lacquer	matt glass	
			gloss in standard	
			gloss in RAL/NCS (!)	
01SUS18F	140 x 140	aluminium	gloss in standard	0.46
			gloss in RAL/NCS (!)	
			matt glass	
		lacquer	gloss in standard	
			gloss in RAL/NCS (!)	
			matt glass	

Nr. packages 1



Sushi Honeycomb

Designed by Bartoli Studio

Extending or fixed table with an anodised aluminium structure and honeycomb tops. By observing a cross-section of the top one can see that it is composed of a honeycombed aluminium structure. These modern panels are used to construct aeroplane nacelles and are both lightweight and very resistant to flexion and compression, despite the fact that they are "air-filled". Also available in uni-colour option.

Leg finish:

Anodised aluminium

Aluminium with wengé lacquer

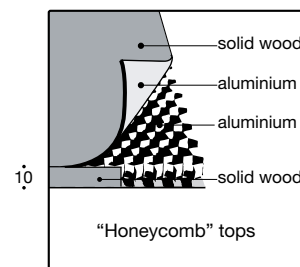
Aluminium with grey oak lacquer

Finish of top/extensions:

Oak

Wengé stained Oak

Grey Oak



! Please note: sizes marked with (!) have longer delivery times: approximately 8 weeks from order date.

☺ Tables that extend to more than 250 cm have a top that slightly bends, which complies with accepted quality standards.

Extensible (↔)

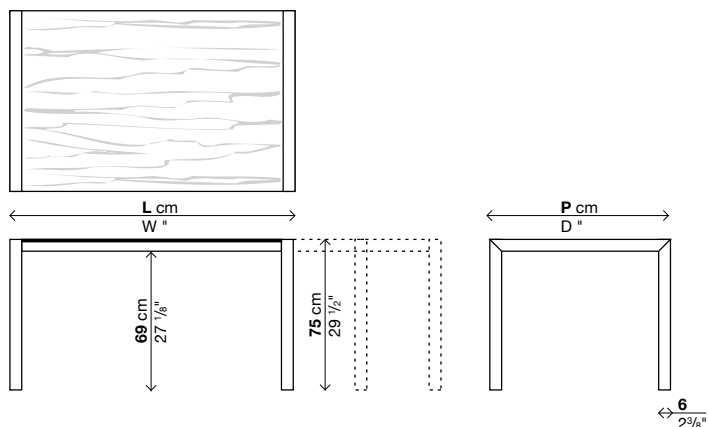
Code	Length (cm.)	Depth	Finish of legs	Finish of top	Vol.
01SUS25	125-165-205	80	aluminium	oak	0.24
				wengé stained	
				grey oak	
01SUS26	150-190-230	90	aluminium	oak	0.28
				wengé stained	
				grey oak	
01SUS27	177-225-271	90	aluminium	oak	0.36
				wengé stained	
				grey oak	
01SUS28	177-225-271	100	aluminium	oak	0.40
				wengé stained	
				grey oak	

Nr. packages 1

Fixed (||)

Code	Length (cm.)	Depth	Finish of legs	Finish of top	Vol.
01SUS25F	125	80	aluminium	oak	0.24
				wengé stained	
				grey oak	
01SUS26F	150	90	aluminium	oak	0.28
				wengé stained	
				grey oak	
01SUS27F	177	90	aluminium	oak	0.36
				wengé stained	
				grey oak	
01SUS28F	177	100	aluminium	oak	0.40
				wengé stained	
				grey oak	
01SUS29F	200 (!)	100	aluminium	oak	0.45
				wengé stained	
				grey oak	
01SUS30F	220	100	aluminium	oak	0.49
				wengé stained	
				grey oak	
01SUS20F	240 (!)	100	aluminium	oak	0.53
				wengé stained	
				grey oak	

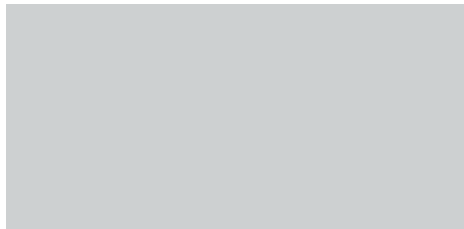
Nr. packages 1



Finishes

Finiture metallo

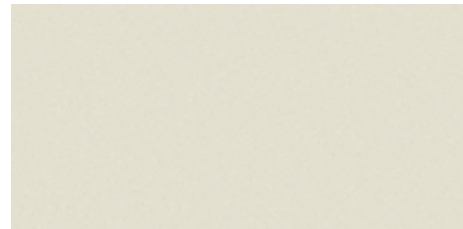
Metal finish / Metallausführungen / Acabados metal / Finitions métal



Alluminio anodizzato / Anodised aluminium / Eloxiertes Aluminium / Aluminio anodizado / Aluminium anodisé



Bianco / White / Weiß / Blanco / Blanc



Grigio sabbia / Sand grey / Sandgrau / Gris arena / Gris sable



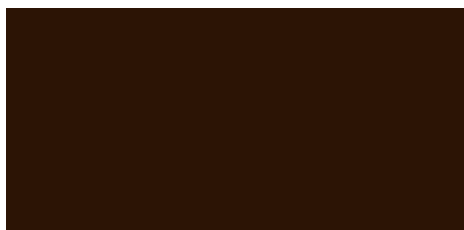
Grigio / Grey / Grau / Gris / Gris



Grigio antracite / Anthracite grey / Grau anthrazit / Gris antracita / Gris anthracite



Nero / Black / Schwarz / Negro / Noir



Color wengé / Wengé lacquer / Farbton Wengé lackiert / Color wengé / Couleur wengé

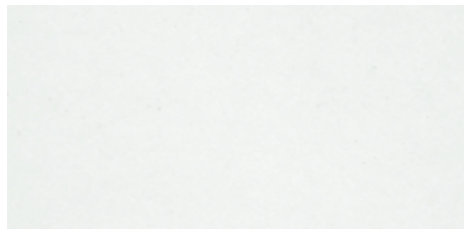


Color rovere grigio / Grey oak lacquer / Farbton Graues Eichen / Color roble gris / Couleur chêne gris

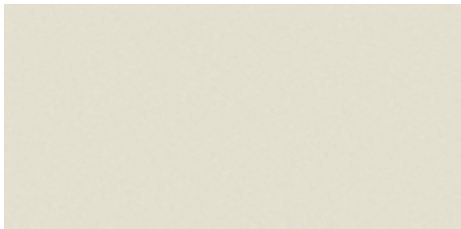
Finishes

Laminati Alucompact®

Alucompact® laminates / Lamine Alucompact® / Laminados Alucompact® / Stratifiés Alucompact®



Bianco / White / Weiß / Blanco / Blanc



Grigio sabbia / Sand grey / Sandgrau / Gris arena / Gris sable



Grigio / Grey / Grau / Gris / Gris



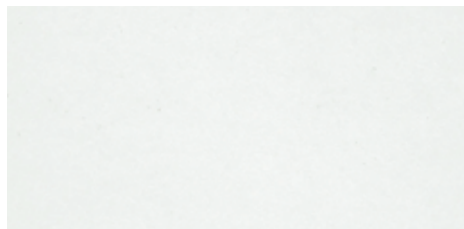
Grigio antracite / Anthracite grey / Grau anthrazit / Gris antracita / Gris anthracite



Nero / Black / Schwarz / Negro / Noir

Laminato Pure-white

Pure-white laminate / Laminat Pure-white / Laminado Pure-white / Stratifié Pure-white



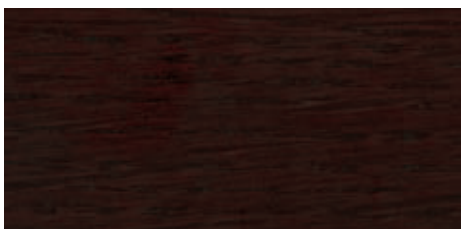
Bianco / White / Weiß / Blanco / Blanc

Essenze legno

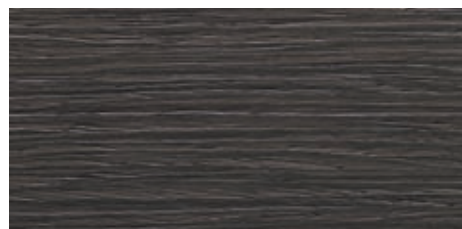
Wood finishes / Holzarten / Esencias de madera / Essences du bois



Rovere naturale / Natural oak / Naturfarbene Eiche / Roble natural / Rouvre naturel



Rovere tinto wengé / Wengé stained oak / Wengé gebeizte Eiche / Roble teñido wengé / Rouvre teinté wengé



Rovere tinto grigio / Grey stained oak / Graue gebeizte Eiche / Roble teñido gris / Rouvre teinté gris

Finishes

Vetri lucidi temperati

Tempered gloss glass / Glänzende Sicherheitsgläser / Cristales brillantes templados / Verres brillants trempés



VE Verde retroverniciato / Green back-painted / Grünes, an der Rückseite lackiert / Verde retrobarnizado / Vert laqué au dessous



XB Extra white retroverniciato / Extra white back-painted / Extraweißes, an der Rückseite lackiert / Extra white retrobarnizado / Extra blanc laqué au dessous



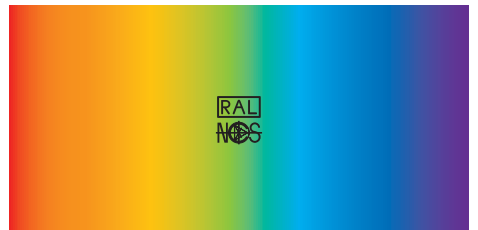
V3 Titanio retroverniciato / Titanium back-painted / Titan, an der Rückseite lackiert / Titanio retrobarnizado / Titane laqué au dessous



V1 Grigio antracite retroverniciato / Anthracite grey back-painted / Anthrazitgraues, an der Rückseite lackiert / Antracita retrobarnizado / Gris anthracite laqué au dessous



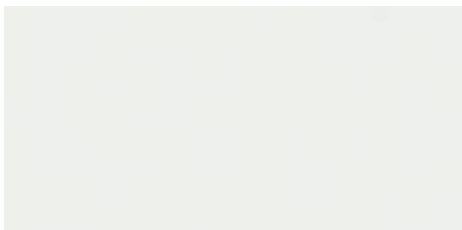
V2 Nero retroverniciato / Black back-painted / Schwarz, an der Rückseite lackiert / Negro retrobarnizado / Noir laqué au dessous



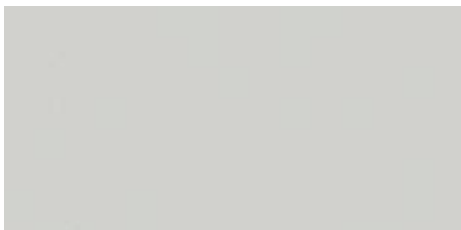
Colori scala RAL/NCS / RAL/NCS range colours / Farben der Skala RAL/NCS / Colores escala RAL/NCS / Coloris palette RAL/NCS

Vetri opachi temperati

Tempered matt glass / Matte Sicherheitsgläser / Cristales mates templados / Verres mats trempés



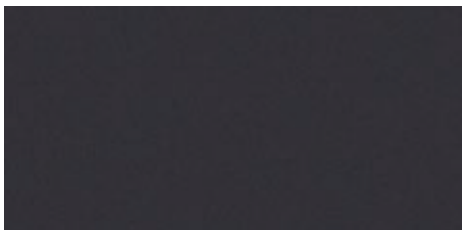
XBM Extra white retroverniciato / Extra white back-painted / Extraweißes, an der Rückseite lackiert / Extra white retrobarnizado / Extra blanc laqué au dessous



V3M Titanio retroverniciato / Titanium back-painted / Titan, an der Rückseite lackiert / Titanio retrobarnizado / Titane laqué au dessous



V1M Grigio antracite retroverniciato / Anthracite grey back-painted / Anthrazitgraues, an der Rückseite lackiert / Antracita retrobarnizado / Gris anthracite laqué au dessous



V2M Nero retroverniciato / Black back-painted / Schwarz, an der Rückseite lackiert / Negro retrobarnizado / Noir laqué au dessous