



EVERGREEN ANTONIO CITTERIO 2012
CHAISE LONGUE/DORMEUSE

EVERGREEN | ANTONIO CITTERIO | 2012

Seat frame in metal covered with hide-leather: russian red 5008, olive 5006, black 5005, dark brown 5004, dark brown extra 5013, grey 5003, sand 5001, tobacco 5015. Also available in black suede 6005, dark brown suede 6004, olive suede 6003, sand suede 6001 with thin mattress in polyurethane

Armrests and backrest in metal with molded polyurethane padding, covered with a protective laminated fabric

Seat cushions in sterilized goose down (Assopiuma certified, gold label) with insert

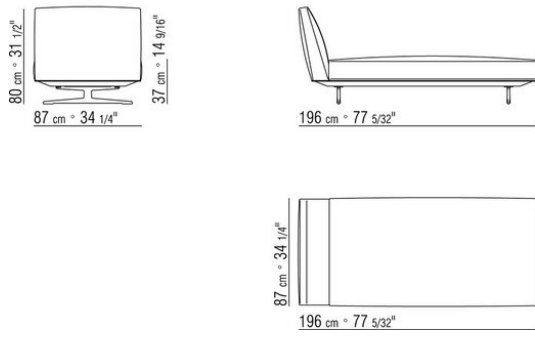
in crushproof, variable density material

Backrest cushions in sterilized goose down (Assopiuma certified, gold label). Optional backrest cushions are upon request, with upcharge

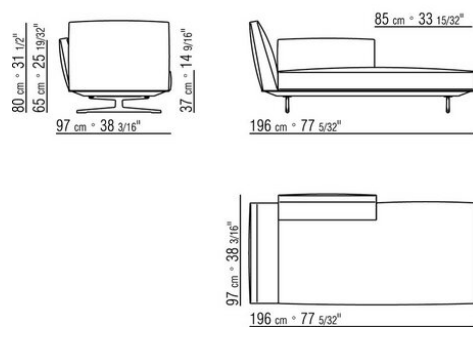
Feet in cast aluminum with lacquered bronzed 820, satin, chrome, black chrome, burnished, glossy anthracite finish. Rests on pads made of thermoplastic material

Upholstery is removable in both the fabric and leather versions

COD. 015R29



COD. 015R31



COD. 015R33

