



LIFESTEEL *ANTONIO CITTERIO* **2006**
CHAISE LONGUE/DORMEUSE

LIFESTEEL | ANTONIO CITTERIO | 2006

DORMEUSE

Seat frame in metal upholstered in cowhide in the following colors: russian red 5008, olive 5006, black 5005, dark brown 5004, dark brown extra 5013, grey 5003, sand 5001, tobacco 5015. Also available in black suede 6005, dark brown suede 6004, olive suede 6003, sand suede 6001 and polyurethane cushion

Armrest and backrest in metal padded with molded polyurethane foam and dacron

Seat cushion in sterilized goose down (Assopiuma certified, gold label) with insert in crushproof material

Backrest cushion in sterilized goose down (Assopiuma certified, gold label) available with or without support bolster with polyurethane foam padding

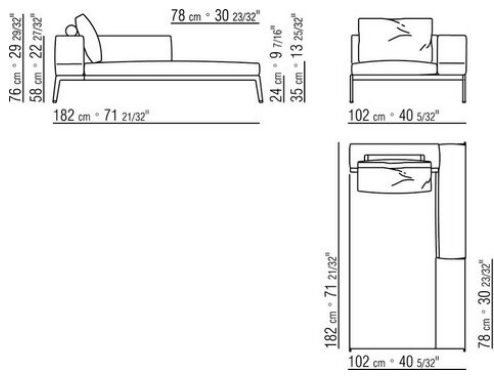
Optional backrest cushions are upon request, with upcharge

Legs in metal with satin, chrome, black chrome, burnished, glossy anthracite finish. Rests on pads made of thermoplastic material

Upholstery is removable in both the fabric and leather versions

Piping in gros grain, available in all the colors on the sample board, for both fabric and leather covers

COD. 014C43



COD. 014C45

