

Maki Sizes

Depth 80 cm Depth 314/8"

80	114 cm 447/8"	→ Alucompact® → Pure-white → Glass
	114/154/194 cm 447/8/605/8/763/8"	→ Alucompact® → Pure-white → Glass
	139 cm 546/8"	→ Alucompact® → Pure-white → Glass
	139/179/219 cm 546/8/704/8/862/8"	→ Alucompact® → Pure-white → Glass
	166 cm 653/8"	→ Alucompact® → Pure-white → Glass
	166/206/246 cm 653/8/811/8/967/8"	→ Alucompact® → Pure-white → Glass *
	189 cm 743/8"	→ Alucompact® → Pure-white → Glass
	209 cm 822/8"	→ Alucompact® → Pure-white → Glass
	229 cm 901/8"	→ Alucompact® → Pure-white → Glass
	249 cm 98"	→ Alucompact® → Pure-white → Glass
269 cm 1057/8"	→ Alucompact® → Pure-white → Glass	
289 cm 1136/8"	→ Alucompact® → Pure-white → Glass	

Depth 90 cm Depth 353/8"

90	114 cm 447/8"	→ Alucompact® → Pure-white → Glass
	139 cm 546/8"	→ Alucompact® → Pure-white → Fenix-NTM® → Glass → DEKTON®
	139/176/214 cm 546/8/692/8/842/8"	→ Alucompact® → Pure-white → Fenix-NTM® → Glass → DEKTON®
	166 cm 653/8"	→ Alucompact® → Pure-white → Fenix-NTM® → Glass → DEKTON®
	166/203/241/278 cm 653/8/797/8/947/8/1094/8"	→ Alucompact® → Pure-white → Fenix-NTM® → Glass
	166/203/241 cm 653/8/797/8/947/8"	→ DEKTON®
	189 cm 743/8"	→ Alucompact® → Pure-white → Fenix-NTM® → Glass → DEKTON®
	189/226/263 cm 743/8/89/1034/8"	→ Alucompact® → Pure-white → Fenix-NTM® → Glass *
	189/226/263 cm 743/8/89/1034/8"	→ DEKTON®
	209 cm 822/8"	→ Alucompact® → Pure-white → Fenix-NTM® → Glass
	209/246/283 cm 822/8/967/8/1113/8"	→ Alucompact® → Pure-white → Fenix-NTM® → Glass *
	229 cm 901/8"	→ Alucompact® → Pure-white → Glass
	249 cm 98"	→ Alucompact® → Pure-white → Glass
	269 cm 1057/8"	→ Alucompact® → Pure-white → Glass
	289 cm 1136/8"	→ Alucompact® → Pure-white → Glass

Depth 100 cm Depth 393/8"

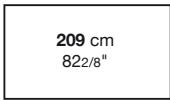
100	139 cm 546/8"	→ Alucompact® → Pure-white → Glass
	166 cm 653/8"	→ Alucompact® → Pure-white → Fenix-NTM® → Glass → DEKTON®
	166/213/260 cm 653/8/837/8/1023/8"	→ Alucompact® → Pure-white → Fenix-NTM® → Glass *
	166/203/240 cm 653/8/797/8/944/8"	→ DEKTON®
	189 cm 743/8"	→ Alucompact® → Pure-white → Fenix-NTM® → Glass → DEKTON®
	189/236/283 cm 743/8/927/8/1113/8"	→ Alucompact® → Pure-white → Fenix-NTM® → Glass *
	189/226/263 cm 743/8/89/1034/8"	→ DEKTON®
	209 cm 822/8"	→ Alucompact® → Pure-white → Fenix-NTM® → Glass
	209/256/303 cm 822/8/1006/8/1192/8"	→ Alucompact® → Pure-white → Fenix-NTM® → Glass *
	229 cm 901/8"	→ Alucompact® → Pure-white → Glass → DEKTON®
	249 cm 98"	→ Alucompact® → Pure-white → Glass
	269 cm 1057/8"	→ Alucompact® → Pure-white → Glass → DEKTON®
	289 cm 1136/8"	→ Alucompact® → Pure-white → Glass

* = 3rd additional extension (on request)

Tops

Depth 124 cm
Depth 487/8"

124



209 cm
82 2/8"

→ Alucompact®
→ Pure-white
→ Glass



229 cm
90 1/8"

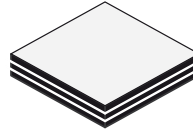
→ Alucompact®
→ Pure-white
→ Glass



277 cm
109"

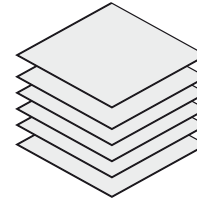
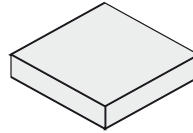
→ Alucompact®
→ Pure-white
→ Glass

Alucompact® 10 mm thick



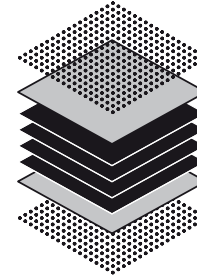
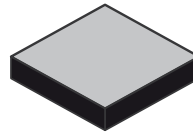
→ laminate
→ Kraft paper core
→ aluminium
→ Kraft paper core
→ aluminium
→ Kraft paper core
→ laminate

Pure-white 10 mm thick



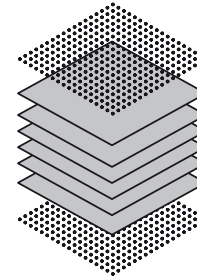
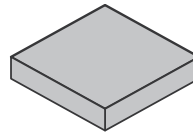
→ laminate
→ white core
→ laminate

Fenix-NTM® black edge 10 mm thick



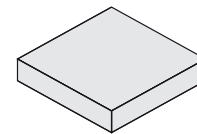
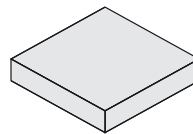
→ surface obtained with the aid of nanotechnology
→ decorative paper
→ Kraft paper core
→ decorative paper
→ surface obtained with the aid of nanotechnology

Fenix-NTM® coloured edge 10 mm thick



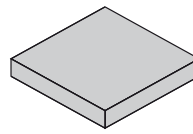
→ surface obtained with the aid of nanotechnology
→ decorative paper
→ decorative paper
→ decorative paper
→ surface obtained with the aid of nanotechnology

Glass 10 mm thick



→ glass
→ lacquer

DEKTON® by Cosentino 8 mm thick



Dekton is a sophisticated mix of raw materials used to create glass, latest generation ceramic and top-quality quartz surfaces.

Maki Alucompact® / Pure-white

Extensible - Depth 80 cm.

Leg finish:

White lacquered aluminium (similar to RAL 9016)

"Alucompact® sand grey" lacquered aluminium (similar to RAL 9002)

"Alucompact® anthracite grey" lacquered aluminium (similar to RAL 7015)

Black lacquered aluminium (similar to RAL 9004)

Finish of top/extensions:

Alucompact® laminate (white, sand grey, anthracite grey, black)

Pure-white laminate

→ For tables with codes marked with an asterisk (*), a third extension can be added to further increase the length.

→ Important: sizes and finishes marked with (!) require longer production lead time, about 6 weeks from the date of the order.

→ Reinforced packaging, see page 205.

Extensible (►)

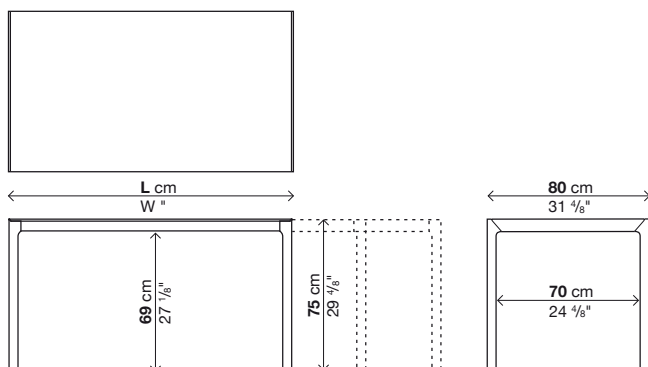
Code	Length (L)	Depth	Legs	Top	Price in EURO	Packs	Vol.³	Kg
01MAK01	114-154-194	80	lacquered	Alucompact	3	0,32	63	
				Pure-white (!)				
01MAK02	139-179-219	80	lacquered	Alucompact	3	0,37	69	
				Pure-white (!)				
01MAK07*	166-206-246	80	lacquered	Alucompact	3	0,42	75	
				Pure-white (!)				

(*) 3rd additional extension

Code	Length (L)	Extension	Price in EURO	Packs	Vol.³	Kg
50SUS05A	33	Alucompact	1	0,025	6	
		Pure-white				

Optionals

Code		Price in EURO	Packs	Vol.³	Kg
02GTA02	✂ legs height cut to size	-	-	-	-



Maki Alucompact® / Pure-white

Fixed - Depth 80 cm.

Leg finish:

White lacquered aluminium (similar to RAL 9016)

"Alucompact® sand grey" lacquered aluminium (similar to RAL 9002)

"Alucompact® anthracite grey" lacquered aluminium (similar to RAL 7015)

Black lacquered aluminium (similar to RAL 9004)

Finish of top:

Alucompact® laminate (white, sand grey, anthracite grey, black)

Pure-white laminate

→ Important: sizes and finishes marked with (!) require longer production lead time, about 6 weeks from the date of the order.


→ Tables that extend to more than 250 cm have a top that slightly bends, which complies with accepted quality standards.

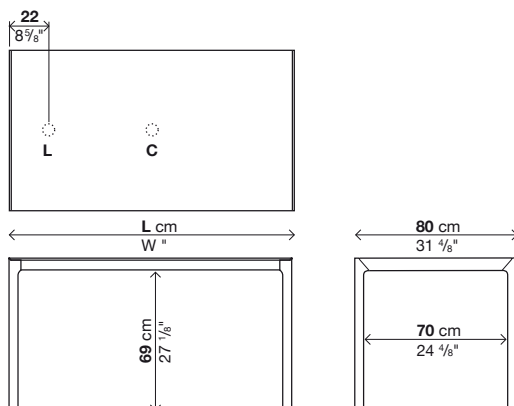
→ Reinforced packaging, see page 205.

Fixed (II)

Code	Length (L)	Depth	Legs	Top	Price in EURO	Paxis	Vol.³	Kg
01MAK01F	114	80	lacquered	Alucompact Pure-white	1	0,27	43	
01MAK02F	139	80	lacquered	Alucompact Pure-white	1	0,32	49	
01MAK28F	166	80	lacquered	Alucompact (!) Pure-white (!)	1	0,37	55	
01MAK33F	189	80	lacquered	Alucompact (!) Pure-white (!)	1	0,41	60	
01MAK35F	209	80	lacquered	Alucompact (!) Pure-white (!)	1	0,45	64	
01MAK37F	229	80	lacquered	Alucompact (!) Pure-white (!)	1	0,49	68	
01MAK43F	249	80	lacquered	Alucompact (!) Pure-white (!)	1	0,53	73	
01MAK45F	269	80	lacquered	Alucompact (!) Pure-white (!)	1	0,57	76	
01MAK47F	289	80	lacquered	Alucompact (!) Pure-white (!)	1	0,61	80	

Optionals

Code			Price in EURO	Paxis	Vol.³	Kg
02GTA02		legs height cut to size	-	-	-	-
02FOR01	Ø6	lateral or central cable hole	-	-	-	-
02RET01		plastic cable mesh	1	0,07	1	
02VER01		vertebra, opal white methacrylate	1	0,007	1,5	
02CPU01		CPU unit, opal white methacrylate	1	0,14	5,5	



Maki Alucompact® / Pure-white / Fenix-NTM®

Extensible - Depth 90 cm.

Leg finish:

White lacquered aluminium (similar to RAL 9016)

"Alucompact® sand grey" lacquered aluminium (similar to RAL 9002)

"Alucompact® anthracite grey" lacquered aluminium (similar to RAL 7015)

"Fenix-NTM® London grey" lacquered aluminium (similar to RAL Design0805005)

"Fenix-NTM® Bromo grey" lacquered aluminium (similar to RAL 7012)

Black lacquered aluminium (similar to RAL 9004)

Finish of top/extensions:

Alucompact® laminate (white, sand grey, anthracite grey, black)

Pure-white laminate

Fenix-NTM® black edge (Kos white 0032, London grey 0718, Bromo grey 0724, Ingo black 0720)

Fenix-NTM® coloured edge (Kos white 0032, London grey 0718)

→ For tables with codes marked with an asterisk (*), a third extension can be added to further increase the length.

→ Important: sizes and finishes marked with (!) require longer production lead time, about 6 weeks from the date of the order.

→ Tables that extend to more than 250 cm have a top that slightly bends, which complies with accepted quality standards.

→ Reinforced packaging, see page 205.

Extensible (▶)

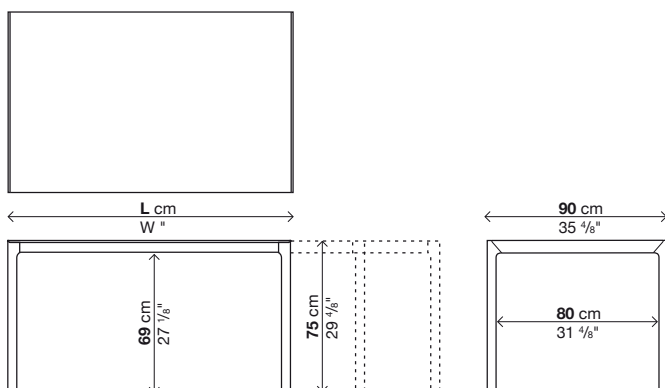
Code	Length (L)	Depth	Legs	Top	Price in EURO	Packs	Vol.³	Kg
01MAK03	139-176-214	90	lacquered	Alucompact	3	0,41	79	
				Pure-white				
				Fenix black edge				
				Fenix coloured edge				
01MAK04	166-203-241-278 3 rd standard extension	90	lacquered	Alucompact	4	0,5	89	
				Pure-white				
				Fenix black edge				
				Fenix coloured edge				
01MAK08*	189-226-263	90	lacquered	Alucompact	3	0,51	90	
				Pure-white				
				Fenix black edge				
				Fenix coloured edge				
01MAK30*	209-246-283	90	lacquered	Alucompact (!)	3	0,55	96	
				Pure-white (!)				
				Fenix black edge (!)				
				Fenix coloured edge(!)				

(*) 3rd additional extension

Code	Length (L)	Extension	Price in EURO	Packs	Vol.³	Kg
50SUS02A	37,5	Alucompact	1	0,025	6,5	
		Pure-white				
		Fenix black edge				
		Fenix coloured edge				

Optionals

Code			Price in EURO	Packs	Vol.³	Kg
02GTA02		legs height cut to size	-	-	-	-



Maki Alucompact® / Pure-white / Fenix-NTM®

Fixed - Depth 90 cm.

Leg finish:

White lacquered aluminium (similar to RAL 9016)

“Alucompact® sand grey” lacquered aluminium (similar to RAL 9002)

“Alucompact® anthracite grey” lacquered aluminium (similar to RAL 7015)

“Fenix-NTM® London grey” lacquered aluminium (similar to RAL Design0805005)

“Fenix-NTM® Bromo grey” lacquered aluminium (similar to RAL 7012)

Black lacquered aluminium (similar to RAL 9004)

Finish of top:

Alucompact® laminate (white, sand grey, anthracite grey, black)

Pure-white laminate

Fenix-NTM® black edge (Kos white 0032, London grey 0718, Bromo grey 0724, Ingo black 0720)

Fenix-NTM® coloured edge (Kos white 0032, London grey 0718)

→ Important: sizes and finishes marked with (!) require longer production lead time, about 6 weeks from the date of the order.

→ Tables that extend to more than 250 cm have a top that slightly bends, which complies with accepted quality standards.


→ Table L. 269 and 289cm have an under-top bars as a central support, therefore any cable hole cutouts cannot be centrally positioned in depth but must be slightly shifted.

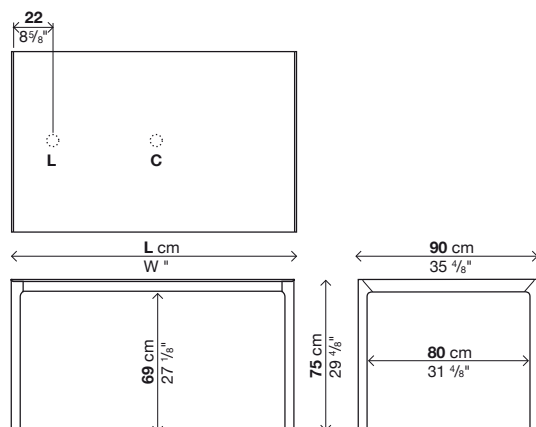
→ Reinforced packaging, see page 205.

Fixed (II)

Code	Length (L)	Depth	Legs	Top	Price in EURO	Packs	Vol.³	Kg
01MAK51F	114	90	lacquered	Alucompact		1	0,3	49
				Pure-white				
01MAK03F	139	90	lacquered	Alucompact		1	0,36	54
				Pure-white				
				Fenix black edge				
				Fenix coloured edge				
01MAK04F	166	90	lacquered	Alucompact		1	0,42	60
				Pure-white				
				Fenix black edge				
				Fenix coloured edge				
01MAK53F	189	90	lacquered	Alucompact		1	0,46	65
				Pure-white				
				Fenix black edge				
				Fenix coloured edge				
01MAK30F	209	90	lacquered	Alucompact		1	0,5	70
				Pure-white				
				Fenix black edge				
				Fenix coloured edge				
01MAK55F	229	90	lacquered	Alucompact (!)		1	0,55	74
				Pure-white (!)				
01MAK57F	249	90	lacquered	Alucompact (!)		1	0,59	79
				Pure-white (!)				
01MAK59F	269	90	lacquered	Alucompact (!)		1	0,63	87
				Pure-white (!)				
01MAK61F	289	90	lacquered	Alucompact (!)		1	0,67	93
				Pure-white (!)				

Optionals

Code			Price in EURO	Packs	Vol.³	Kg
02GTA02		legs height cut to size	-	-	-	-
02FOR01	Ø6	lateral or central cable hole	-	-	-	-
02RET02		plastic cable mesh	1	0,07	1	
02VER01		vertebra, opal white methacrylate	1	0,007	1,5	
02CPU02		CPU unit, opal white methacrylate	1	0,14	5,5	



Maki Alucompact® / Pure-white / Fenix-NTM®

Extensible - Depth 100 cm.

Leg finish:

White lacquered aluminium (similar to RAL 9016)

"Alucompact® sand grey" lacquered aluminium (similar to RAL 9002)

"Alucompact® anthracite grey" lacquered aluminium (similar to RAL 7015)

"Fenix-NTM® London grey" lacquered aluminium (similar to RAL Design0805005)

"Fenix-NTM® Bromo grey" lacquered aluminium (similar to RAL 7012)

Black lacquered aluminium (similar to RAL 9004)

Finish of top/extensions:

Alucompact® laminate (white, sand grey, anthracite grey, black)

Pure-white laminate

Fenix-NTM® black edge (Kos white 0032, London grey 0718, Bromo grey 0724, Ingo black 0720)

Fenix-NTM® coloured edge (Kos white 0032, London grey 0718)

→ For tables with codes marked with an asterisk (*), a third extension can be added to further increase the length.

→ Tables that extend to more than 250 cm have a top that slightly bends, which complies with accepted quality standards.

→ Reinforced packaging, see page 205.

Extensible (▶)

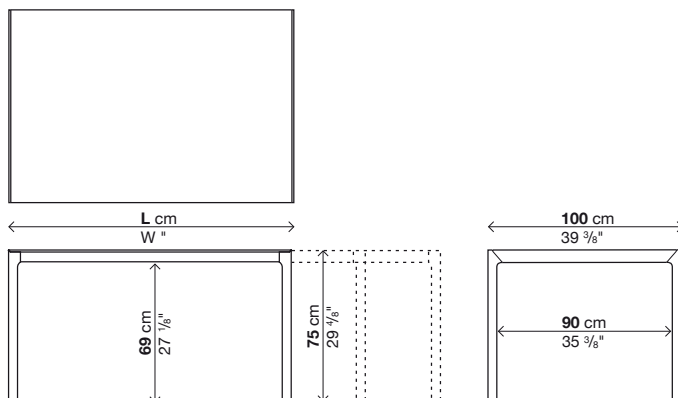
Code	Length (L)	Depth	Legs	Top	Price in EURO	Packs	Vol.³	Kg
01MAK05*	166-213-260	100	lacquered	Alucompact	3	0,52	93	
				Pure-white				
				Fenix black edge				
				Fenix coloured edge				
01MAK09*	189-236-283	100	lacquered	Alucompact	3	0,57	100	
				Pure-white				
				Fenix black edge				
				Fenix coloured edge				
01MAK06*	209-256-303	100	lacquered	Alucompact	3	0,62	106	
				Pure-white				
				Fenix black edge				
				Fenix coloured edge				

(*) 3rd additional extension

Code	Length (L)	Extension	Price in EURO	Packs	Vol.³	Kg
50SUS06A	33	Alucompact	1	0,035	6	
		Pure-white				
		Fenix black edge				
		Fenix coloured edge				

Optionals

Code			Price in EURO	Packs	Vol.³	Kg
02GTA02		legs height cut to size	-	-	-	-



Maki Alucompact® / Pure-white / Fenix-NTM®

Fixed - Depth 100 cm.

Leg finish:

White lacquered aluminium (similar to RAL 9016)

“Alucompact® sand grey” lacquered aluminium (similar to RAL 9002)

“Alucompact® anthracite grey” lacquered aluminium (similar to RAL 7015)

“Fenix-NTM® London grey” lacquered aluminium (similar to RAL Design0805005)

“Fenix-NTM® Bromo grey” lacquered aluminium (similar to RAL 7012)

Black lacquered aluminium (similar to RAL 9004)

Finish of top:

Alucompact® laminate (white, sand grey, anthracite grey, black)

Pure-white laminate

Fenix-NTM® black edge (Kos white 0032, London grey 0718, Bromo grey 0724, Ingo black 0720)

Fenix-NTM® coloured edge (Kos white 0032, London grey 0718)

→ Important: sizes and finishes marked with (!) require longer production lead time, about 6 weeks from the date of the order.

→ Tables that extend to more than 250 cm have a top that slightly bends, which complies with accepted quality standards.

→ Table L. 269 and 289cm have an under-top bars as a central support, therefore any cable hole cutouts cannot be centrally positioned in depth but must be slightly shifted.

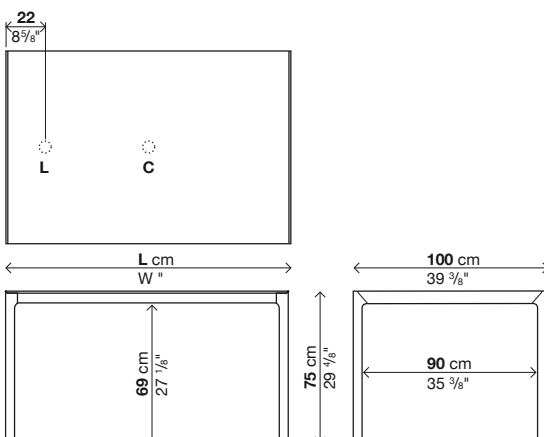
→ Reinforced packaging, see page 205.

Fixed (II)

Code	Length (L)	Depth	Legs	Top	Price in EURO	Packs	Vol.³	Kg
01MAK65F	139	100	lacquered	Alucompact		1	0,39	58
				Pure-white				
01MAK05F	166	100	lacquered	Alucompact		1	0,45	64
				Pure-white				
				Fenix black edge				
				Fenix coloured edge				
01MAK07F	189	100	lacquered	Alucompact		1	0,5	70
				Pure-white				
				Fenix black edge				
				Fenix coloured edge				
01MAK06F	209	100	lacquered	Alucompact		1	0,55	75
				Pure-white				
				Fenix black edge				
				Fenix coloured edge				
01MAK08F	229	100	lacquered	Alucompact (!)		1	0,6	80
				Pure-white (!)				
01MAK67F	249	100	lacquered	Alucompact (!)		1	0,65	85
				Pure-white (!)				
01MAK69F	269	100	lacquered	Alucompact (!)		1	0,69	63
				Pure-white (!)				
01MAK32F	289	100	lacquered	Alucompact (!)		1	0,74	98
				Pure-white (!)				

Optionals

Code	Symbol	Description	Price in EURO	Packs	Vol.³	Kg
02GTA02		legs height cut to size	-	-	-	-
02FOR01		lateral or central cable hole	-	-	-	-
02RET03		plastic cable mesh	1	0,07	1	
02VER01		vertebra, opal white methacrylate	1	0,007	1,5	
02CPU03		CPU unit, opal white methacrylate	1	0,14	5,5	



Maki Alucompact® / Pure-white

Fixed - Depth 124 cm.

Leg finish:

White lacquered aluminium (similar to RAL 9016)

“Alucompact® sand grey” lacquered aluminium (similar to RAL 9002)

“Alucompact® anthracite grey” lacquered aluminium (similar to RAL 7015)

Black lacquered aluminium (similar to RAL 9004)

Finish of top:

Alucompact® laminate (white, sand grey, anthracite grey, black)

Pure-white laminate

→ Important: sizes and finishes marked with (!) require longer production lead time, about 6 weeks from the date of the order.


→ Tables that extend to more than 250 cm have a top that slightly bends, which complies with accepted quality standards.

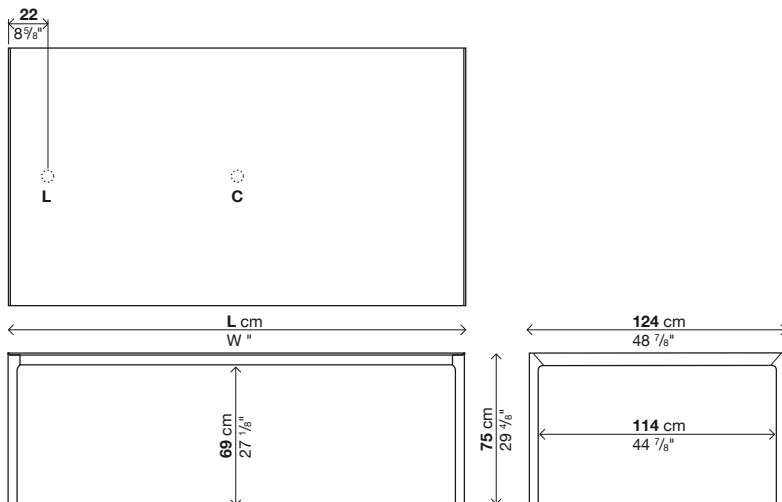
→ Reinforced packaging, see page 205.

Fixed (II)

Code	Length (L)	Depth	Legs	Top	Price in EURO	Packs	Vol.³	Kg
01MAK71F	209	124	lacquered	Alucompact (!)	1	0,66	94	
				Pure-white (!)				
01MAK73F	229	124	lacquered	Alucompact (!)	1	0,72	100	
				Pure-white (!)				
01MAK75F	277	124	lacquered	Alucompact (!)	1	0,85	116	
				Pure-white (!)				

Optionals

Code		Price in EURO	Packs	Vol.³	Kg
02GTA02		legs height cut to size	-	-	-
02FOR01	∅6	lateral or central cable hole	-	-	-
04RET04		plastic cable mesh	1	0,07	1
02VER01		vertebra, opal white methacrylate	1	0,007	1,5
02CPU04		CPU unit, opal white methacrylate	1	0,14	5,5



Maki DEKTON® by Cosentino

Extensible/Fixed - Depth 90/100 cm.

Leg finish:

White lacquered aluminium (similar to RAL 9016)

“Ventus grey” lacquered aluminium

Finish of top:

DEKTON® Zenith white

DEKTON® Ventus grey

DEKTON® Aura (digital marble)

Finish of extensions:

White lacquered aluminium (similar to RAL 9016)

“Ventus grey” lacquered aluminium

→ Important: sizes and finishes marked with (!) require longer production lead time, about 6 weeks from the date of the order.

→ Tables that extend to more than 250 cm have a top that slightly bends, which complies with accepted quality standards.

→ Reinforced packaging, see page 205.


Extensible (▶)

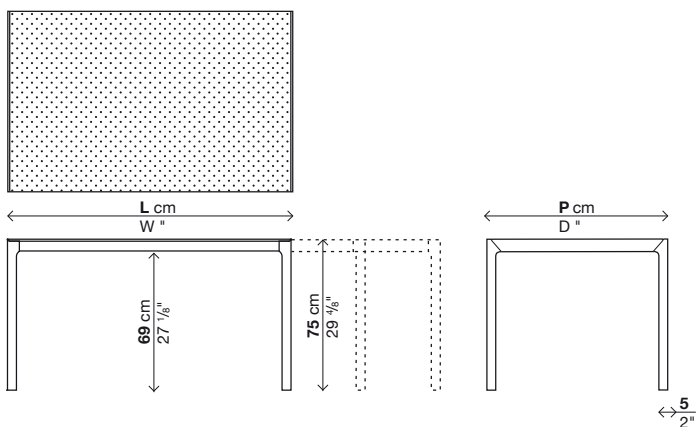
Code	Length (L)	Depth	Legs	Top	Price in EURO	Packs	Vol.³	Kg
01MAK03	139-176-214	90	lacquered	DEKTON (!)		3	0,41	97
01MAK04	166-203-241	90	lacquered	DEKTON (!)		3	0,5	110
01MAK08	189-226-263	90	lacquered	DEKTON (!)		3	0,51	113
01MAK05	166-203-240	100	lacquered	DEKTON (!)		3	0,52	116
01MAK09	189-226-263	100	lacquered	DEKTON (!)		3	0,57	126

Fixed (||)

Code	Length (L)	Depth	Legs	Top	Price in EURO	Packs	Vol.³	Kg
01MAK03F	139	90	lacquered	DEKTON (!)		1	0,36	68
01MAK04F	166	90	lacquered	DEKTON (!)		1	0,42	77
01MAK53F	189	90	lacquered	DEKTON (!)		1	0,46	84
01MAK05F	166	100	lacquered	DEKTON (!)		1	0,45	82
01MAK07F	189	100	lacquered	DEKTON (!)		1	0,5	91
01MAK08F	229	100	lacquered	DEKTON (!)		1	0,6	105
01MAK69F	269	100	lacquered	DEKTON (!)		1	0,69	123

Optionals

Code	Depth	Price in EURO	Packs	Vol.³	Kg
02GTA02		legs height cut to size	-	-	-
02RET01	80	plastic cable mesh	1	0,07	1
02RET02	90	plastic cable mesh	1	0,07	1
02RET03	100	plastic cable mesh	1	0,07	1
02VER01		vertebra, opal white methacrylate	1	0,007	1,5
02CPU01	80	CPU unit, opal white methacrylate	1	0,14	5,5
02CPU02	90	CPU unit, opal white methacrylate	1	0,14	5,5
02CPU03	100	CPU unit, opal white methacrylate	1	0,14	5,5



DEKTON®
by COSENTINO

 HIGHLY UV RESISTANT	 RESISTANT TO ABRASION	 RESISTANT TO STAIN
 MAXIMUM RESISTANCE TO FIRE AND HEAT	 LOW WATER ABSORPTION	 HIGH MECHANICAL RESISTANCE
 COLOUR STABILITY	 DIMENSIONAL STABILITY	 FIREPROOF MATERIAL

Maki glass

Extensible - Depth 80 cm.

Leg finish:

White lacquered aluminium (similar to RAL 9016)

Black lacquered aluminium (similar to RAL 9004)

Finish of top:

Gloss glass in standard colours: extra white, anthracite, black, titanium

Gloss glass in RAL/NCS range colours on request

Matt glass in colours: extra white, anthracite grey, black, titanium

Finish of extensions:

White Alucompact® laminate

Sand grey Alucompact® laminate

Anthracite grey Alucompact® laminate

Black Alucompact® laminate

→ For tables with codes marked with an asterisk (*), a third extension can be added to further increase the length.

→ Important: sizes and finishes marked with (!) require longer production lead time, about 6 weeks from the date of the order.

→ Please note: variations in shade against selected RAL/NCS sample cannot be avoided and are caused by colour refracting through the thickness of the glass.
RAL/NCS colours are not available in shades of white.

→ Tables that extend to more than 250 cm have a top that slightly bends, which complies with accepted quality standards.

→ Reinforced packaging, see page 205.

Extensible (►)

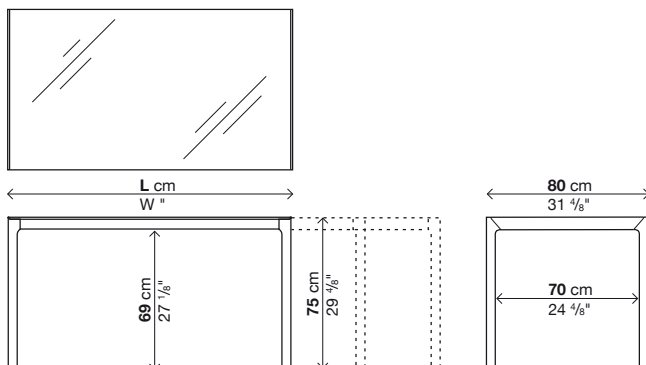
Code	Length (L)	Depth	Legs	Top	Price in EURO	Packs	Vol. m ³	Kg
01MAK11	114-154-194	80	lacquered	gloss in standard		3	0,32	72
				gloss in RAL/NCS (!)				
				matt glass				
01MAK12	139-179-219	80	lacquered	gloss in standard		3	0,37	80
				gloss in RAL/NCS (!)				
				matt glass				
01MAK16*	166-206-246	80	lacquered	gloss in standard		3	0,42	87
				gloss in RAL/NCS (!)				
				matt glass				

(*) 3rd additional extension

Code	Length (L)	Extension	Price in EURO	Packs	Vol. m ³	Kg
50SUS05A	33	Alucompact		1	0,025	6

Optionals

Code		Price in EURO	Packs	Vol. m ³	Kg
02GTA02	 legs height cut to size		-	-	-



Maki glass

Fixed - Depth 80 cm.

Leg finish:

White lacquered aluminium (similar to RAL 9016)

Black lacquered aluminium (similar to RAL 9004)

Finish of top:

Gloss glass in standard colours: extra white, anthracite, black, titanium

Gloss glass in RAL/NCS range colours on request

Matt glass in colours: extra white, anthracite grey, black, titanium

→ Important: sizes and finishes marked with (!) require longer production lead time, about 6 weeks from the date of the order.

→ Please note: variations in shade against selected RAL/NCS sample cannot be avoided and are caused by colour refracting through the thickness of the glass.
RAL/NCS colours are not available in shades of white.

→ Tables that extend to more than 250 cm have a top that slightly bends, which complies with accepted quality standards.

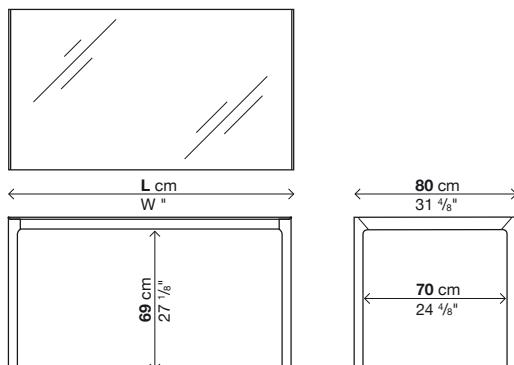
→ Reinforced packaging, see page 205.

Fixed (II)

Code	Length (L)	Depth	Legs	Top	Price in EURO	Packs	Vol.³	Kg
01MAK11F	114	80	lacquered	gloss in standard	1	0,27	52	
				gloss in RAL/NCS (!)				
				matt glass				
01MAK12F	139	80	lacquered	gloss in standard	1	0,32	60	
				gloss in RAL/NCS (!)				
				matt glass				
01MAK29F	166	80	lacquered	gloss in standard	1	0,37	66	
				gloss in RAL/NCS (!)				
				matt glass				
01MAK34F	189	80	lacquered	gloss in standard	1	0,41	74	
				gloss in RAL/NCS (!)				
				matt glass				
01MAK36F	209	80	lacquered	gloss in standard	1	0,45	80	
				gloss in RAL/NCS (!)				
				matt glass				
01MAK38F	229	80	lacquered	gloss in standard (!)	1	0,49	85	
				gloss in RAL/NCS (!)				
				matt glass (!)				
01MAK44F	249	80	lacquered	gloss in standard (!)	1	0,53	91	
				gloss in RAL/NCS (!)				
				matt glass (!)				
01MAK46F	269	80	lacquered	gloss in standard (!)	1	0,57	96	
				gloss in RAL/NCS (!)				
				matt glass (!)				
01MAK48F	289	80	lacquered	gloss in standard (!)	1	0,61	102	
				gloss in RAL/NCS (!)				
				matt glass (!)				

Optionals

Code		Price in EURO	Packs	Vol.³	Kg
02GTA02	✂	legs height cut to size	-	-	-
02RET01		plastic cable mesh	1	0,07	1
02VER01		vertebra, opal white methacrylate	1	0,007	1,5
02CPU01		CPU unit, opal white methacrylate	1	0,14	5,5



Maki glass

Extensible - Depth 90 cm.

Leg finish:

White lacquered aluminium (similar to RAL 9016)

Black lacquered aluminium (similar to RAL 9004)

Finish of top:

Gloss glass in standard colours: extra white, anthracite, black, titanium

Gloss glass in RAL/NCS range colours on request

Matt glass in colours: extra white, anthracite grey, black, titanium

Finish of extensions:

White Alucompact® laminate

Sand grey Alucompact® laminate

Anthracite grey Alucompact® laminate

Black Alucompact® laminate

→ For tables with codes marked with an asterisk (*), a third extension can be added to further increase the length.

→ Important: sizes and finishes marked with (!) require longer production lead time, about 6 weeks from the date of the order.

→ Please note: variations in shade against selected RAL/NCS sample cannot be avoided and are caused by colour refracting through the thickness of the glass.
RAL/NCS colours are not available in shades of white.

→ Tables that extend to more than 250 cm have a top that slightly bends, which complies with accepted quality standards.

→ Reinforced packaging, see page 205.

Extensible (▶)

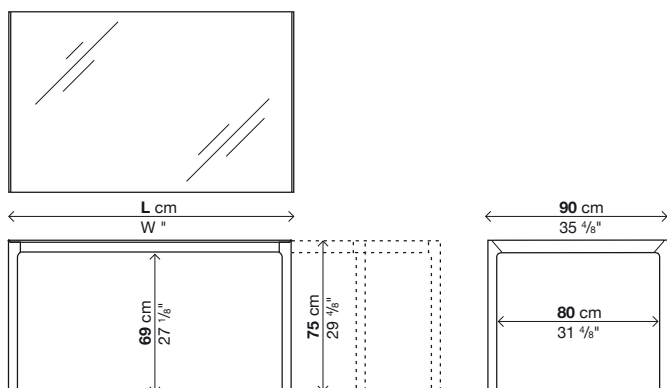
Code	Length (L)	Depth	Legs	Top	Price in EURO	Packs	Vol. m ³	Kg
01MAK13	139-176-214	90	lacquered	gloss in standard		3	0,41	89
				gloss in RAL/NCS (!)				
				matt glass				
01MAK14	166-203-241-278 <i>3 rd standard extension</i>	90	lacquered	gloss in standard		4	0,5	104
				gloss in RAL/NCS (!)				
				matt glass				
01MAK18*	189-226-263	90	lacquered	gloss in standard		3	0,51	106
				gloss in RAL/NCS (!)				
				matt glass				
01MAK40*	209-246-283	90	lacquered	gloss in standard		3	0,55	113
				gloss in RAL/NCS (!)				
				matt glass				

(*) 3rd additional extension

Code	Length (L)	Extension	Price in EURO	Packs	Vol. m ³	Kg
50SUS02A	37,5	Alucompact		1	0,025	6,5

Optionals

Code			Price in EURO	Packs	Vol. m ³	Kg
02GTA02		legs height cut to size		-	-	-



Maki glass

Fixed - Depth 90 cm.

Leg finish:

White lacquered aluminium (similar to RAL 9016)

Black lacquered aluminium (similar to RAL 9004)

Finish of top:

Gloss glass in standard colours: extra white, anthracite, black, titanium

Gloss glass in RAL/NCS range colours on request

Matt glass in colours: extra white, anthracite grey, black, titanium

→ Important: sizes and finishes marked with (!) require longer production lead time, about 6 weeks from the date of the order.

→ Please note: variations in shade against selected RAL/NCS sample cannot be avoided and are caused by colour refracting through the thickness of the glass.
RAL/NCS colours are not available in shades of white.


→ Tables that extend to more than 250 cm have a top that slightly bends, which complies with accepted quality standards.

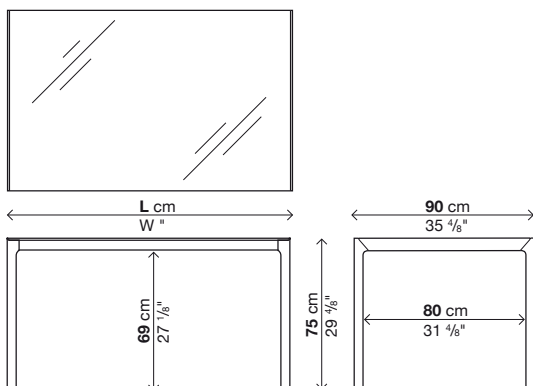
→ Reinforced packaging, see page 205.

Fixed (II)

Code	Length (L)	Depth	Legs	Top	Price in EURO	Paxis	Vol.:	Kg
01MAK52F	114	90	lacquered	gloss in standard	1	0,3	59	
				gloss in RAL/NCS (!)				
				matt glass				
01MAK13F	139	90	lacquered	gloss in standard	1	0,36	66	
				gloss in RAL/NCS (!)				
				matt glass				
01MAK14F	166	90	lacquered	gloss in standard	1	0,42	75	
				gloss in RAL/NCS (!)				
				matt glass				
01MAK54F	189	90	lacquered	gloss in standard	1	0,46	82	
				gloss in RAL/NCS (!)				
				matt glass				
01MAK40F	209	90	lacquered	gloss in standard	1	0,5	88	
				gloss in RAL/NCS (!)				
				matt glass				
01MAK56F	229	90	lacquered	gloss in standard (!)	1	0,55	94	
				gloss in RAL/NCS (!)				
				matt glass (!)				
01MAK58F	249	90	lacquered	gloss in standard (!)	1	0,59	100	
				gloss in RAL/NCS (!)				
				matt glass (!)				
01MAK60F	269	90	lacquered	gloss in standard (!)	1	0,63	111	
				gloss in RAL/NCS (!)				
				matt glass (!)				
01MAK62F	289	90	lacquered	gloss in standard (!)	1	0,67	117	
				gloss in RAL/NCS (!)				
				matt glass (!)				

Optionals

Code		Price in EURO	Paxis	Vol.:	Kg
02GTA02		legs height cut to size	-	-	-
02RET02		plastic cable mesh	1	0,07	1
02VER01		vertebra, opal white methacrylate	1	0,007	1,5
02CPU02		CPU unit, opal white methacrylate	1	0,14	5,5



Maki glass

Extensible - Depth 100 cm.

Leg finish:

White lacquered aluminium (similar to RAL 9016)

Black lacquered aluminium (similar to RAL 9004)

Finish of top:

Gloss glass in standard colours: extra white, anthracite, black, titanium

Gloss glass in RAL/NCS range colours on request

Matt glass in colours: extra white, anthracite grey, black, titanium

Finish of extensions:

White Alucompact® laminate

Sand grey Alucompact® laminate

Anthracite grey Alucompact® laminate

Black Alucompact® laminate

→ For tables with codes marked with an asterisk (*), a third extension can be added to further increase the length.

→ Important: sizes and finishes marked with (!) require longer production lead time, about 6 weeks from the date of the order.

→ Please note: variations in shade against selected RAL/NCS sample cannot be avoided and are caused by colour refracting through the thickness of the glass.
RAL/NCS colours are not available in shades of white.

→ Tables that extend to more than 250 cm have a top that slightly bends, which complies with accepted quality standards.

→ Reinforced packaging, see page 205.

Extensible (►)

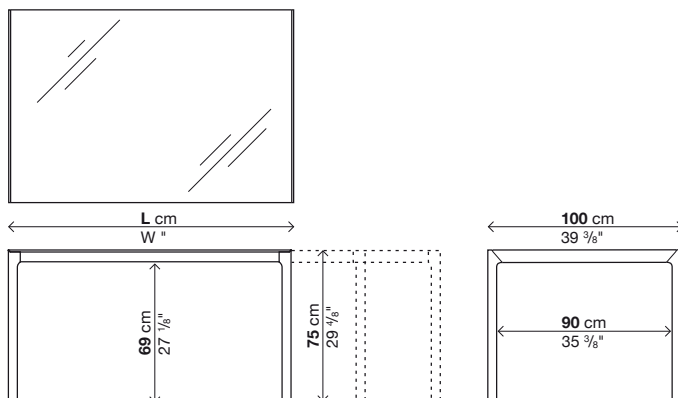
Code	Length (L)	Depth	Legs	Top	Price in EURO	Packs	Vol. m ³	Kg
01MAK15*	166-213-260	100	lacquered	gloss in standard		3	0,52	109
				gloss in RAL/NCS (!)				
				matt glass				
01MAK19*	189-236-283	100	lacquered	gloss in standard		3	0,57	116
				gloss in RAL/NCS (!)				
				matt glass				
01MAK17*	209-256-303	100	lacquered	gloss in standard		3	0,62	126
				gloss in RAL/NCS (!)				
				matt glass				

(*) 3rd additional extension

Code	Length (L)	Extension	Price in EURO	Packs	Vol. m ³	Kg
50SUS06A	33	Alucompact		1	0,025	6

Optionals

Code			Price in EURO	Packs	Vol. m ³	Kg
02GTA02		legs height cut to size		-	-	-



Maki glass

Fixed - Depth 100 cm.

Leg finish:

White lacquered aluminium (similar to RAL 9016)

Black lacquered aluminium (similar to RAL 9004)

Finish of top:

Gloss glass in standard colours: extra white, anthracite, black, titanium

Gloss glass in RAL/NCS range colours on request

Matt glass in colours: extra white, anthracite grey, black, titanium

→ Important: sizes and finishes marked with (!) require longer production lead time, about 6 weeks from the date of the order.

→ Please note: variations in shade against selected RAL/NCS sample cannot be avoided and are caused by colour refracting through the thickness of the glass.
RAL/NCS colours are not available in shades of white.


→ Tables that extend to more than 250 cm have a top that slightly bends, which complies with accepted quality standards.

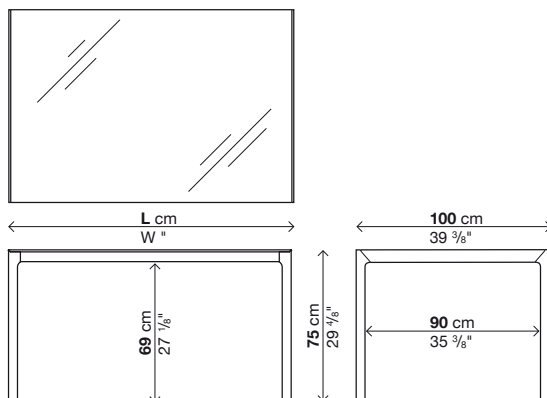
→ Reinforced packaging, see page 205.

Fixed (II)

Code	Length (L)	Depth	Legs	Top	Price in EURO	Packs	Vol.³	Kg
01MAK66F	139	100	lacquered	gloss in standard	1	0,39	71	
				gloss in RAL/NCS (!)				
				matt glass				
01MAK15F	166	100	lacquered	gloss in standard	1	0,45	80	
				gloss in RAL/NCS (!)				
				matt glass				
01MAK18F	189	100	lacquered	gloss in standard	1	0,5	88	
				gloss in RAL/NCS (!)				
				matt glass				
01MAK17F	209	100	lacquered	gloss in standard	1	0,55	94	
				gloss in RAL/NCS (!)				
				matt glass				
01MAK19F	229	100	lacquered	gloss in standard (!)	1	0,6	101	
				gloss in RAL/NCS (!)				
				matt glass (!)				
01MAK68F	249	100	lacquered	gloss in standard (!)	1	0,65	108	
				gloss in RAL/NCS (!)				
				matt glass (!)				
01MAK70F	269	100	lacquered	gloss in standard (!)	1	0,69	118	
				gloss in RAL/NCS (!)				
				matt glass (!)				
01MAK42F	289	100	lacquered	gloss in standard (!)	1	0,74	126	
				gloss in RAL/NCS (!)				
				matt glass (!)				

Optionals

Code		Price in EURO	Packs	Vol.³	Kg
02GTA02		legs height cut to size	-	-	-
02RET03		plastic cable mesh	1	0,07	1
02VER01		vertebra, opal white methacrylate	1	0,007	1,5
02CPU03		CPU unit, opal white methacrylate	1	0,14	5,5



Maki glass

Fixed - Depth 124 cm.

Leg finish:

White lacquered aluminium (similar to RAL 9016)

Black lacquered aluminium (similar to RAL 9004)

Finish of top:

Gloss glass in standard colours: extra white, anthracite, black, titanium

Gloss glass in RAL/NCS range colours on request

Matt glass in colours: extra white, anthracite grey, black, titanium

→ Important: sizes and finishes marked with (!) require longer production lead time, about 6 weeks from the date of the order.

→ Please note: variations in shade against selected RAL/NCS sample cannot be avoided and are caused by colour refracting through the thickness of the glass.
RAL/NCS colours are not available in shades of white.


→ Tables that extend to more than 250 cm have a top that slightly bends, which complies with accepted quality standards.

→ Reinforced packaging, see page 205.

Fixed (II)

Code	Length (L)	Depth	Legs	Top	Price in EURO	Paxs	Vol.³	Kg
01MAK72F	209	124	lacquered	gloss in standard (!)	1	0,66	117	
				gloss in RAL/NCS (!)				
				matt glass (!)				
01MAK74F	229	124	lacquered	gloss in standard (!)	1	0,72	126	
				gloss in RAL/NCS (!)				
				matt glass (!)				
01MAK76F	277	124	lacquered	gloss in standard (!)	1	0,85	148	
				gloss in RAL/NCS (!)				
				matt glass (!)				

Optionals

Code			Price in EURO	Paxs	Vol.³	Kg
02GTA02		legs height cut to size	-	-	-	-
04RET04		plastic cable mesh	1	0,07	1	
02VER01		vertebra, opal white methacrylate	1	0,007	1,5	
02CPU04		CPU unit, opal white methacrylate	1	0,14	5,5	

