

China

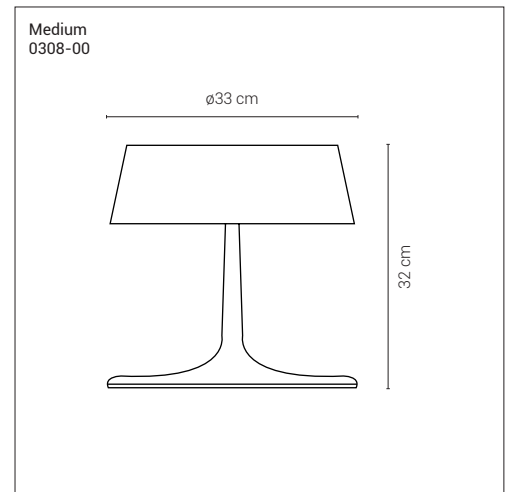
Nicola Gallizia
2003-2007

0308-00

Lamps with metal structure. Matt varnished in the colours: red, maron glacé, bronze, gold, rose gold, graphite and glossy white varnished.

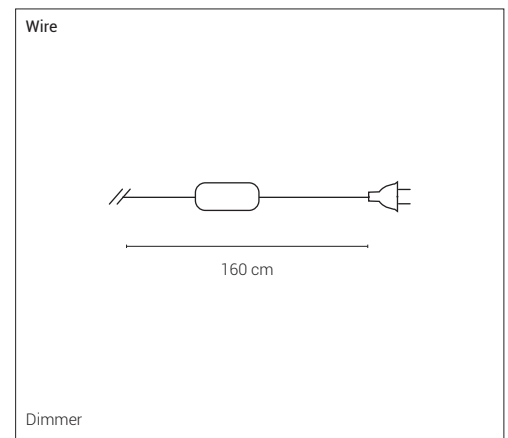


Mounting	Table lamp
Environment	Indoor
Materials	Metal
Voltage	230V 50/60Hz
Source	3x 5W LED - E14
Lumen	NA
Dimming	Dimmable



Metal finishes

-  Glossy white
-  Matt maron glacé
-  Matt gold
-  Matt rose gold
-  Matt red
-  Matt graphite
-  Matt bronze



Certification



China

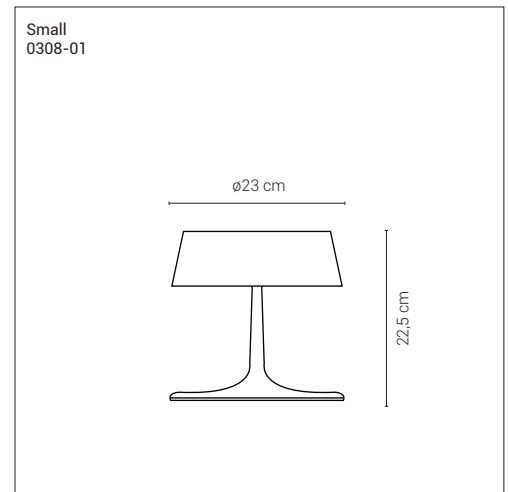
Nicola Gallizia
2003-2007

0308-01

Lamps with metal structure. Matt varnished in the colours: red, maron glacé, bronze, gold, rose gold, graphite and glossy white varnished.

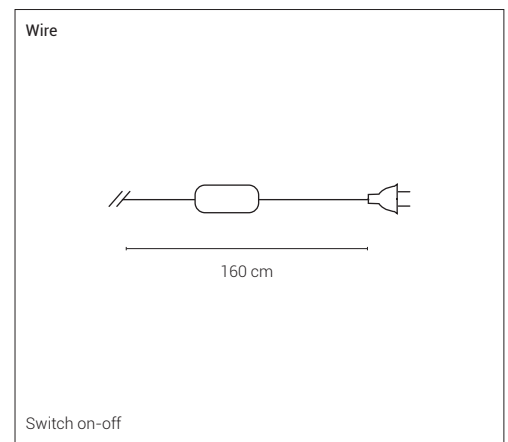


Mounting	Table lamp
Environment	Indoor
Materials	Metal
Voltage	230V 50/60Hz
Source	2x 5W LED - E14
Lumen	NA
Dimming	NA



Metal finishes

-  Glossy white
-  Matt maron glacé
-  Matt gold
-  Matt rose gold
-  Matt red
-  Matt graphite
-  Matt bronze



Certification

