



Writing desk with geometric design made of veneered blockboard, drawers assembled with dovetail joints and legs in solid wood. Available in two different versions.

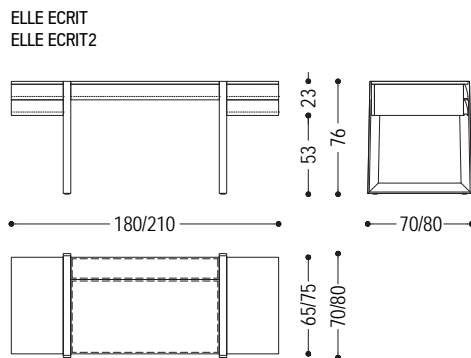
CODE	SIZE	A1	A2	A4
ELLE ECRIT	W.180 x D.70 x H.76	■	■	■
ELLE ECRIT1	W.180 x D.70 x H.76	■	■	■
ELLE ECRIT2	W.210 x D.80 x H.76	■	■	■
ELLE ECRIT3	W.210 x D.80 x H.76	■	■	■

AVAILABLE FINISHES:

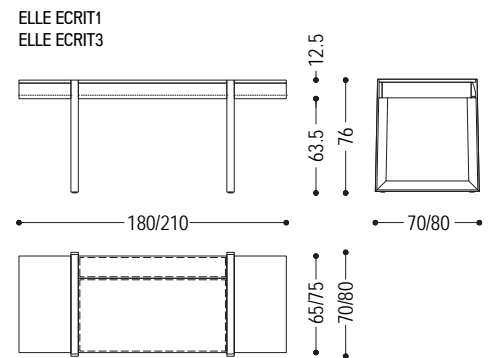
- A1: walnut without knots, walnut with knots
- A2: oak without knots, oak with knots, cherry
- A4: oak without knots pigmented: white milk, total black
oak with knots pigmented: white milk, total black



DETAIL OF THE TOP



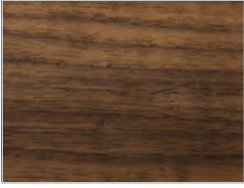
STRUCTURE IN SOLID WOOD.
MIDDLE PART OF THE TOP COVERED WITH LEATHER.
STANDARD LEATHER MOD. "OLIMPIA" COLOUR CT 015 DARK BROWN.
AVAILABLE IN THE OTHER COLOURS AS PER SAMPLES.
ON THE LEFT: TWO SINGLE DRAWERS.
ON THE RIGHT: DRAWER WITH DOUBLE FRONT AND INTERNAL "SECRETAIRE" FLAP TOP.
IN THE MIDDLE: ONE DRAWER AND SMALL FLAP TOP FITTED WITH PEN HOLDER CM. 20X12, LETTERS AND BUSINESS CARDS HOLDER CM. 36,9 X 12.



STRUCTURE IN SOLID WOOD.
MIDDLE PART OF THE TOP COVERED WITH LEATHER.
STANDARD LEATHER MOD. "OLIMPIA" COLOUR CT 015 DARK BROWN.
AVAILABLE IN THE OTHER COLOURS AS PER SAMPLES..
ON THE LEFT: ONE DRAWER.
ON THE RIGHT: ONE DRAWER.
IN THE MIDDLE: ONE DRAWER AND SMALL FLAP TOP FITTED WITH PEN HOLDER CM. 20X12, LETTERS AND BUSINESS CARDS HOLDER CM. 36,9 X 12.

WOOD

A1

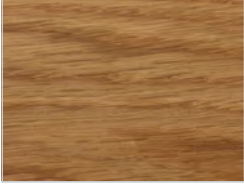


walnut without knots



walnut with knots

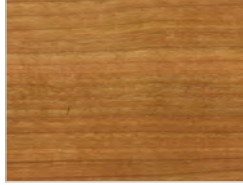
A2



oak without knots



oak with knots



cherry

A4



oak without knots pigmented:
white milk



oak without knots pigmented:
total black



oak with knots pigmented:
white milk



oak with knots pigmented:
total black