



NEWBRIDGE *CARLO COLOMBO* 2018
SECTIONAL SOFAS

NEWBRIDGE | CARLO COLOMBO | 2018

Frame in metal with foam polyurethane padding covered with a protective fabric lining

Seat cushions in sterilized goose down (Assopiuma certified, gold label) with insert in crushproof material; or in polyurethane foam and polyester fiber

Backrest cushions in sterilized goose down (Assopiuma certified, gold label). Optional backrest cushions are upon request, with upcharge

Backrest with button in metal in the following finishings: satined, chrome, black

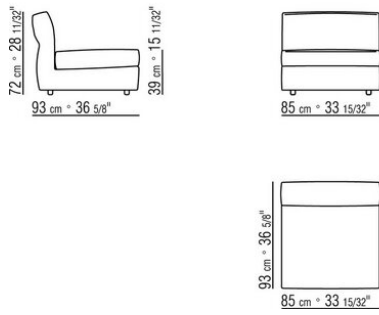
chrome, burnished, glossy anthracite

Armrest fixed or with movement in fabric with metal insert and foam, polyurethane padding covered with a protective fabric lining. With button on metal in the following finishes: satined, chrome, black chrome, burnished, glossy anthracite

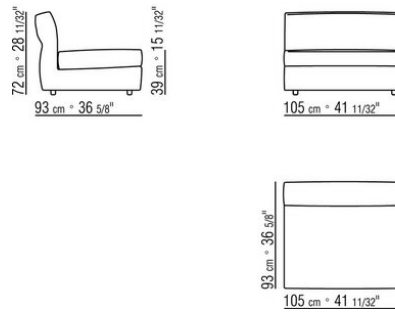
Feet in satined, chrome, black chrome, burnished, glossy anthracite metal. Rests on pads made of thermoplastic material

Upholstery is removable in both the fabric and leather versions

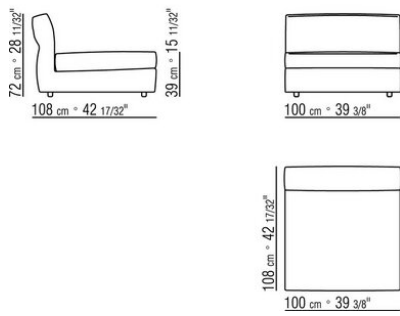
COD. 024302



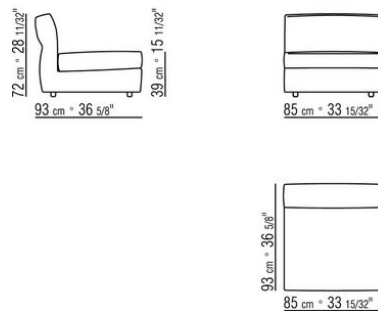
COD. 024303



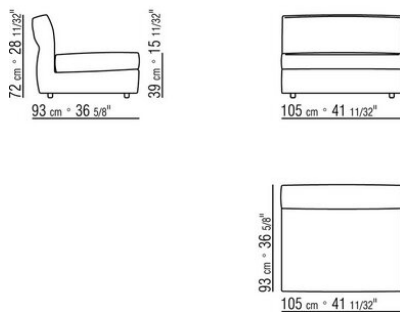
COD. 024305



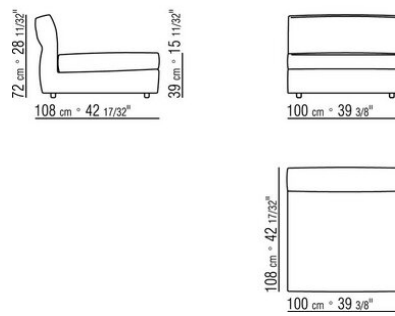
COD. 024312



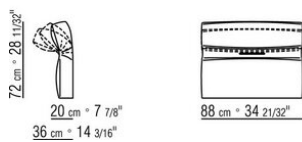
COD. 024313



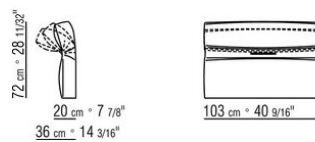
COD. 024315



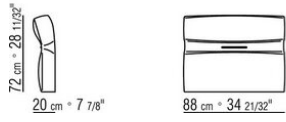
COD. 024340



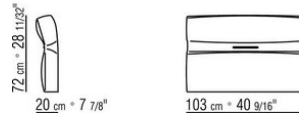
COD. 024341



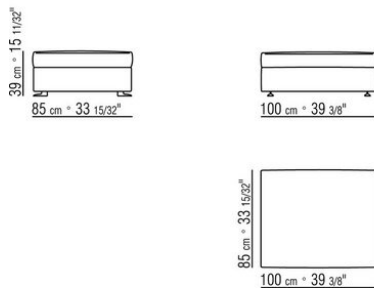
COD. 024345



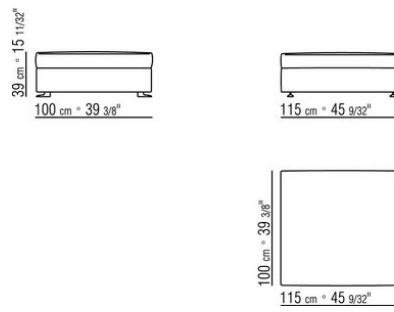
COD. 024346



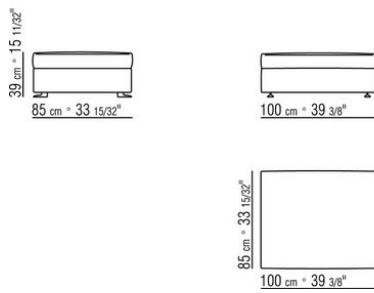
COD. 024350



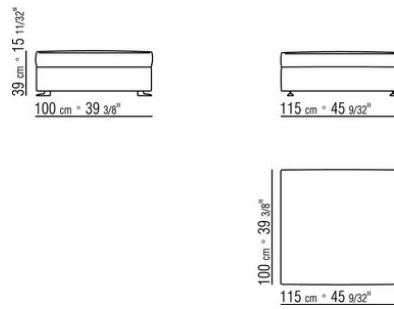
COD. 024351



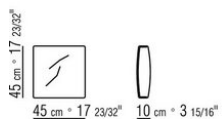
COD. 024355



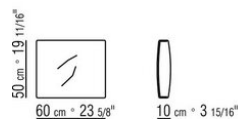
COD. 024356



COD. 024398

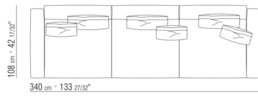


COD. 024399



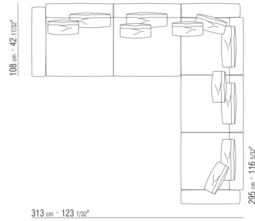
0243XA

- N.2 COD.024341 - ARMREST W/MOVEMENT CM.103 x36
- N.3 COD.024305 - UNIT CM.100 x108
- N.3 COD.024398 - CUSHION CM.45 x45
- N.3 COD.024399 - CUSHION CM.60 x50



0243XB

- N.1 COD.024341 - ARMREST W/MOVEMENT CM.103 x36
- N.2 COD.024305 - UNIT CM.100 x108
- N.1 COD.024345 - ARMREST FIXED CM.88 x20
- N.3 COD.024302 - UNIT CM.85 x93
- N.1 COD.024340 - ARMREST W/MOVEMENT CM.88 x36
- N.6 COD.024398 - CUSHION CM.45 x45
- N.5 COD.024399 - CUSHION CM.60 x50



0243XC

- N.1 COD.024341 - ARMREST W/MOVEMENT CM.103 x36
- N.3 COD.024305 - UNIT CM.100 x108
- N.1 COD.024345 - ARMREST FIXED CM.88 x20
- N.2 COD.024302 - UNIT CM.85 x93
- N.1 COD.024350 - OTTOMAN CM.100 x85
- N.5 COD.024398 - CUSHION CM.45 x45
- N.5 COD.024399 - CUSHION CM.60 x50

