



Multifunctional storage unit in blockboard, with double doors in smoked glass opening to 180° and with wooden handles. The unit and the accessories are designed to meet storage and functional needs, with the possibility to insert small electrical appliances (Jumbo version). The inside is illuminated by LED strips along the inner side, activated automatically via touch sensors by the passage of the hand.

SMALL DOOR ON THE LEFT AND BIG DOOR ON THE RIGHT, BUT EXCHANGEABLE UPON REQUEST

FOR JUMBO VERSION (with the possibility to insert small electrical appliances such as fridge, microwave oven, wine cellar): maximum size for built-in appliances W.56 D.55 H.91.5 cm, but the space can also be customized. It is necessary to supply the technical data sheet of the chosen appliance for our approval.

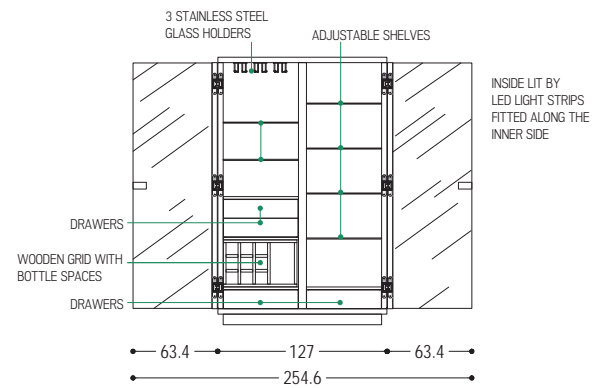
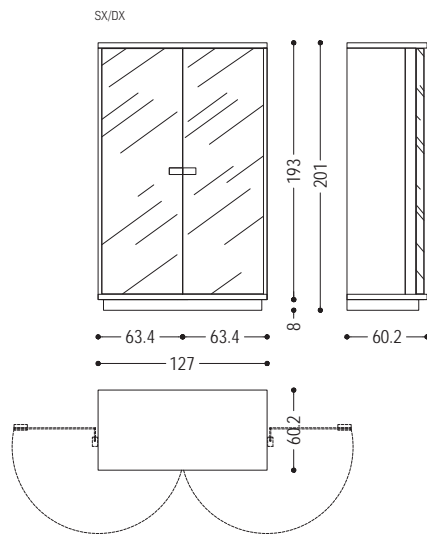
CODE	SIZE	DOORS	A1	A2	A4
CAMBUSA EVO	W.127/254,6 x D.60,2 x H.201	E2	■	■	■
CAMBUSA EVO 2 JUMBO	W.127/254,6 x D.81 x H.201	E2	■	■	■
CAMBUSA EVO 2	W.127/254,6 x D.60,2 x H.201	E2	■	■	■

AVAILABLE FINISHES:

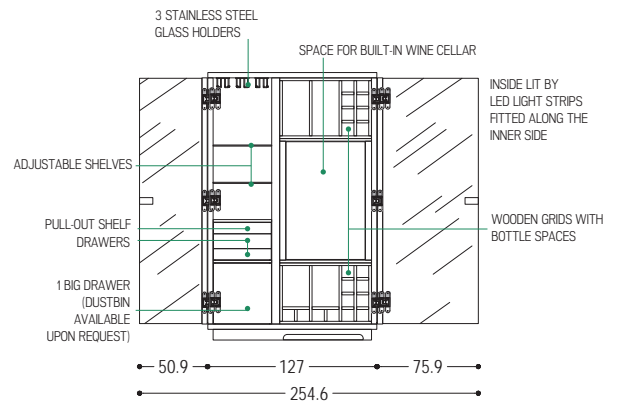
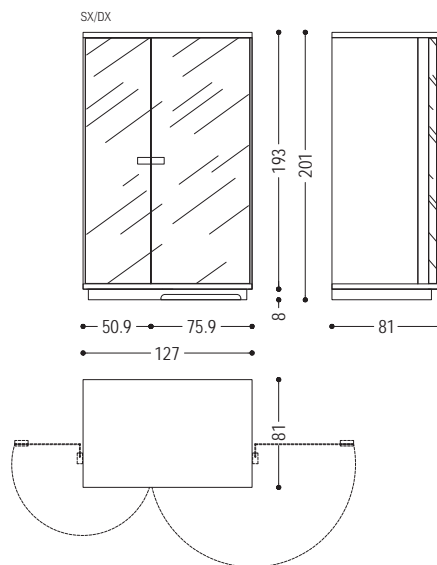
- A1:** walnut without knots, walnut with knots
- A2:** oak without knots, oak with knots, cherry
- A4:** oak without knots pigmented: white milk, total black
oak with knots pigmented: white milk, total black
- E2:** glass: smoked, bronzed

CAMBUSA EVO / JUMBO

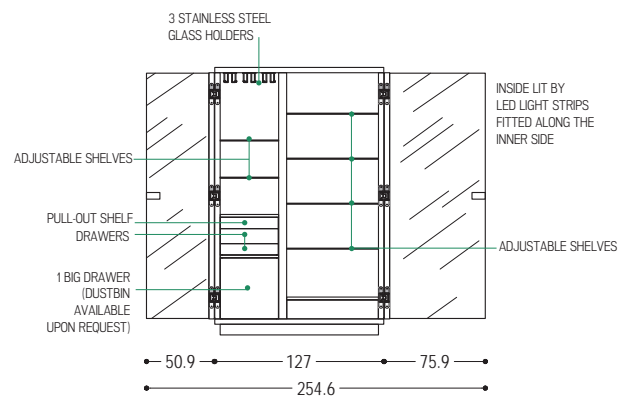
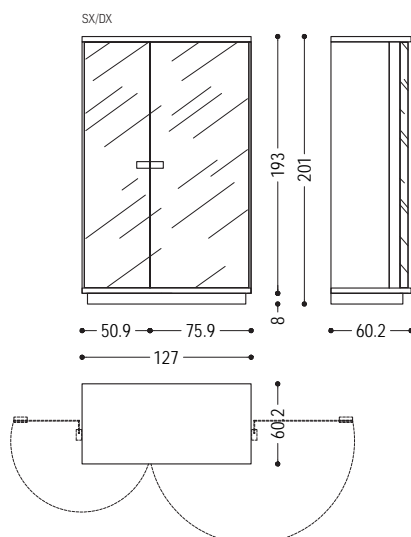
CAMBUSA EVO



CAMBUSA EVO 2 JUMBO



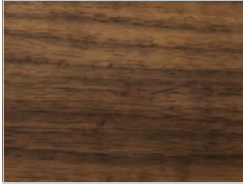
CAMBUSA EVO 2



CAMBUSA EVO /JUMBO | AVAILABLE FINISHES

WOOD

A1

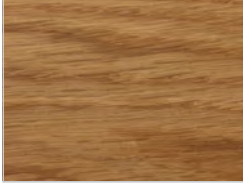


walnut without knots



walnut with knots

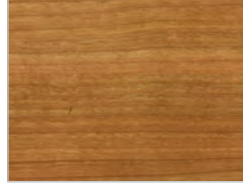
A2



oak without knots



oak with knots

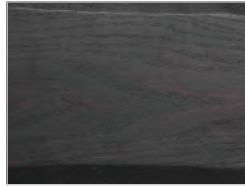


cherry

A4



oak without knots pigmented:
white milk



oak without knots pigmented:
total black



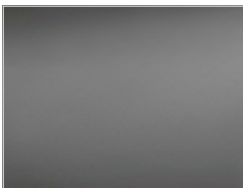
oak with knots pigmented:
white milk



oak with knots pigmented:
total black

GLASS

E2



smoked glass



bronzed glass