



**ZANTE *DESIGN CENTER* 2019**  
**SECTIONAL SOFAS**

---

## ZANTE | *DESIGN CENTER* | 2019

**Structure** in solid iroko wood with natural finish, stained grey, stained brown, lacquered white

**Base** in epoxy powder-coated stainless steel 316. Rests on pads made of thermoplastic material

**Seat cushion** in polyurethane foam covered in a protective, water-repellent laminated fabric

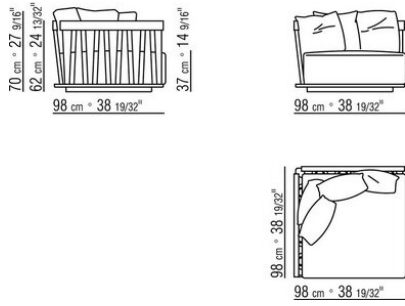
**Backrest cushion** in polyurethane foam and polyester fiber covered with a protective, water-repellent laminated fabric

**Optional cushions** in polyester fiber with water-repellent upholstery. Optional cushions are upon request, with upcharge

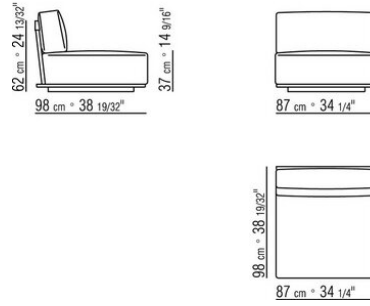
**Upholstery** in removable fabric

**Cover** in waterproof material; the cover is upon request, with upcharge

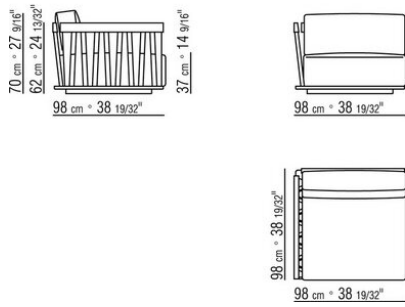
COD. 0257A1



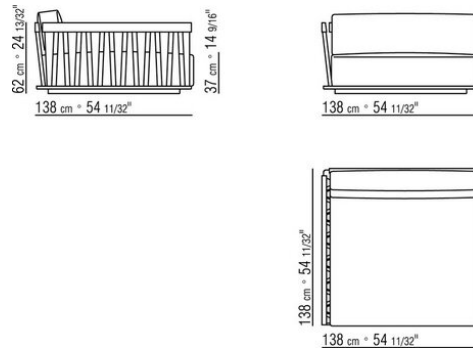
COD. 0257A3



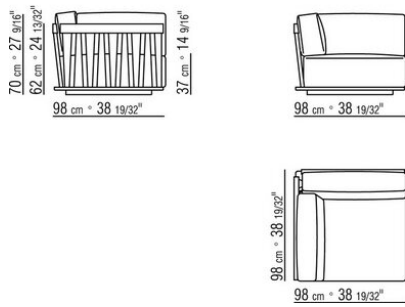
COD. 0257B1



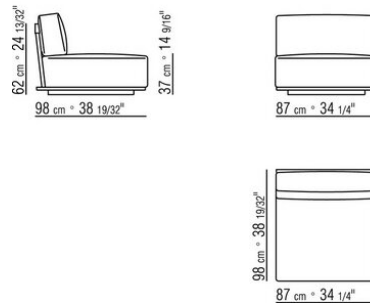
COD. 0257B5



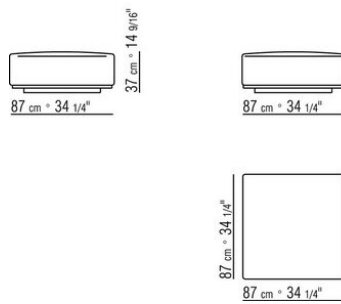
COD. 0257C0



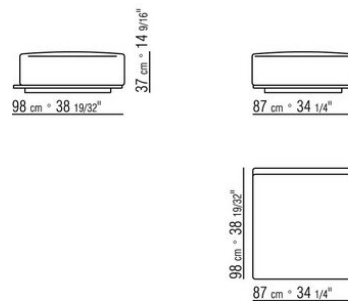
COD. 0257F1



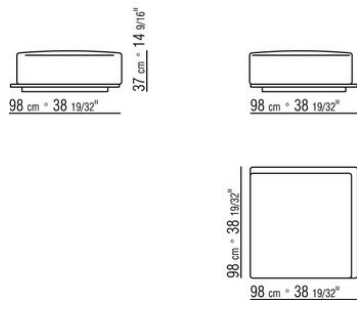
COD. 0257G0



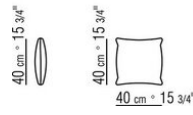
COD. 0257G1



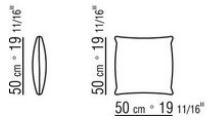
COD. 0257G2



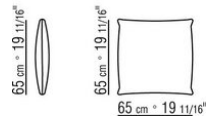
COD. 0257M7



COD. 0257M8

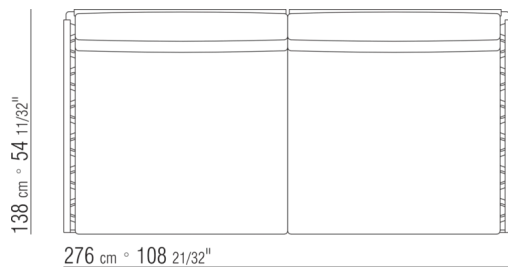


COD. 0257M9



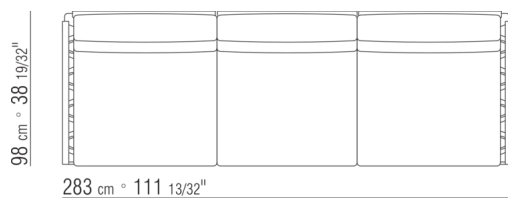
0257XA

N.1 COD.0257B5 - END UNIT L CM.138 x138  
N.1 COD.0257B4 - END UNIT R CM.138 x138



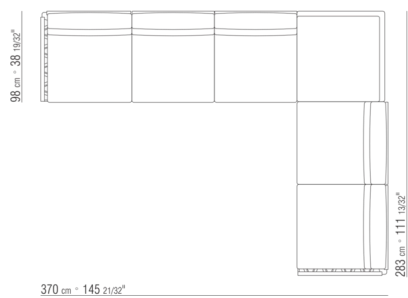
0257XB

N.1 COD.0257B1 - END UNIT L CM.98 x98  
N.1 COD.0257B0 - END UNIT R CM.98 x98  
N.1 COD.0257A3 - UNIT CM.87 x98

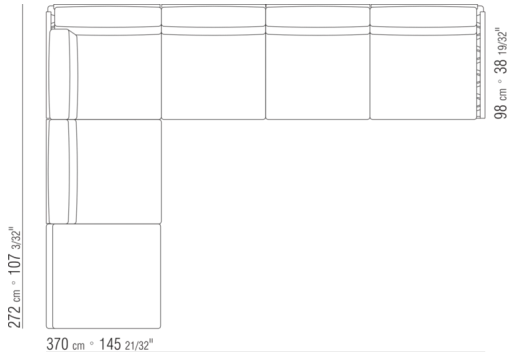


0257XC

N.1 COD.0257B1 - END UNIT L CM.98 x98  
N.1 COD.0257B0 - END UNIT R CM.98 x98  
N.3 COD.0257A3 - UNIT CM.87 x98  
N.1 COD.0257G2 - OTTOMAN CORNER CM.98 x98



0257XD



- N.1 COD.0257B0 - END UNIT R CM.98 x98
- N.1 COD.0257C0 - CORNER CM.98 x98
- N.3 COD.0257A3 - UNIT CM.87 x98
- N.1 COD.0257G1 - OTTOMAN END UNIT CM.87 x98