

Mami

Umberto Asnago
2015

1307-12

Lamps with structure in graphite varnished metal or bronze.
Shade in white blown glass.



Mounting	Floor-to-ceiling lamp
Environment	Indoor
Materials	Metal and blown glass
Voltage	230V 50/60Hz
Source	8x 6W LED - 3000K
Lumen	8x 450lm
Dimming	Dimmable

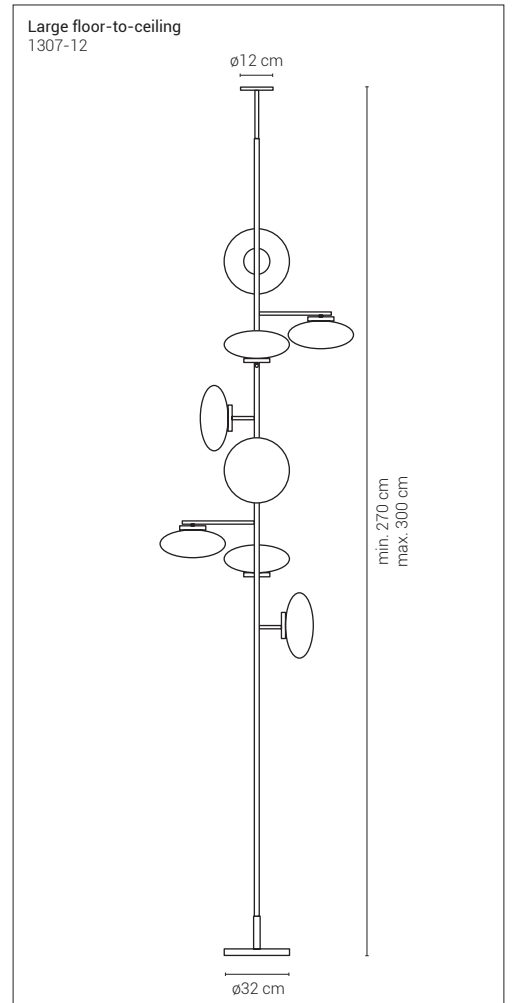
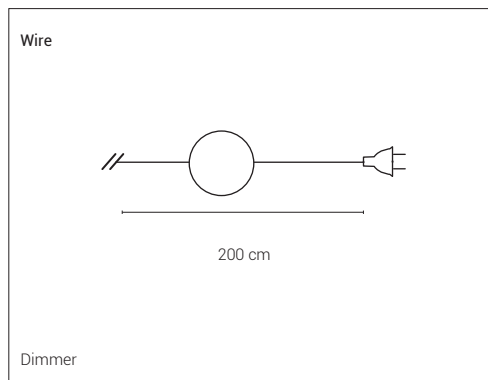
Glass finishes

○ White

Metal Finishes

● Brushed bronze

● Matt graphite



Certification



Mami

Umberto Asnago
2015

1307-11

Lamps with structure in graphite varnished metal or bronze.
Shade in white blown glass.



Mounting	Floor-to-ceiling lamp
Environment	Indoor
Materials	Metal and blown glass
Voltage	230V 50/60Hz
Source	6x 6W LED - 3000K
Lumen	6x 450lm
Dimming	Dimmable

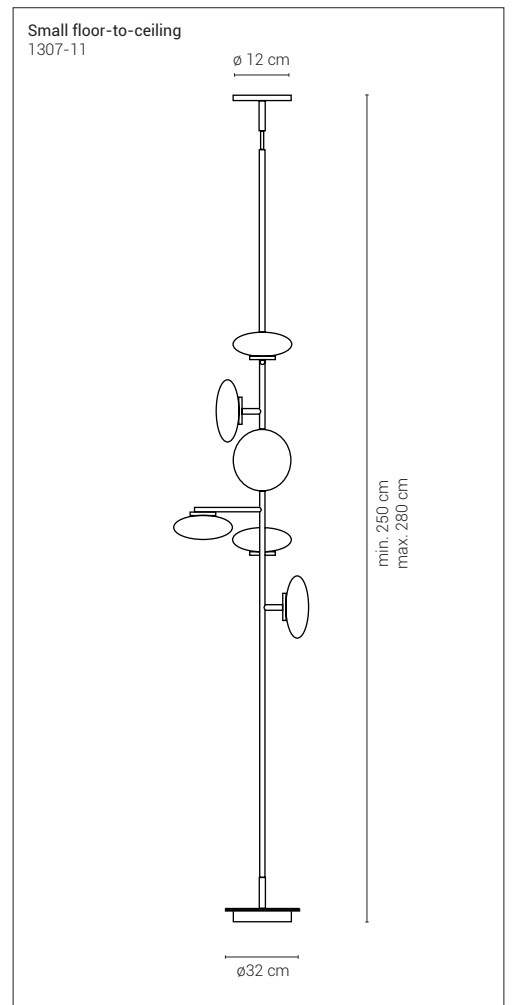
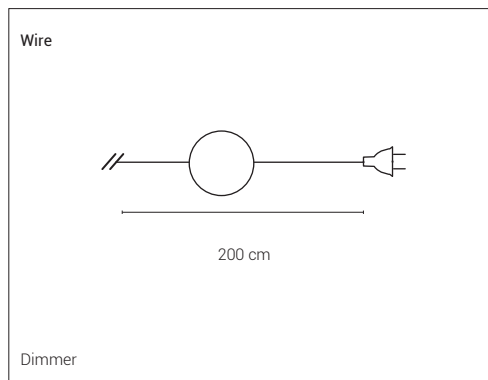
Glass finishes

○ White

Metal Finishes

● Brushed bronze

● Matt graphite



Certification

