



CAMBUSA FLY RESERVE



CAMBUSA FLY STORAGE



CAMBUSA FLY VANITY



Multifunctional storage unit in blockboard with double doors and drawers in solid wood assembled with dovetail joints, characterized by a structure in iron. The unit and the interior accessories are designed to meet storage and functional needs: depending on the version (RESERVE, STORAGE or VANITY) it is conceived to organize wine and spirit bottles and cigars, dishes and glasses or cosmetics, perfumes, jewels and various accessories. The doors are also conceived as containers and between the unit and the lower structure there is a useful pull-out shelf. The inside is illuminated by LED strips along the inner side or in the top, activated automatically via sensors when the doors are opened.

CODE	SIZE	HANDLE, PROFILE AND BASE	A1	A2	A4
CAMBUSA_FLY_RESERVE	W.90/180,6 x D.52,2 x H.180	B2	■	■	■
		B3	■	■	■
CAMBUSA_FLY_STORAGE	W.90/180,6 x D.52,2 x H.180	B2	■	■	■
		B3	■	■	■
CAMBUSA_FLY_VANITY	W.90/180,6 x D.52,2 x H.180	B2	■	■	■
		B3	■	■	■

AVAILABLE FINISHES:

A1: walnut without knots, walnut with knots

A2: oak without knots, oak with knots, cherry

A4: oak without knots pigmented: white milk, total black

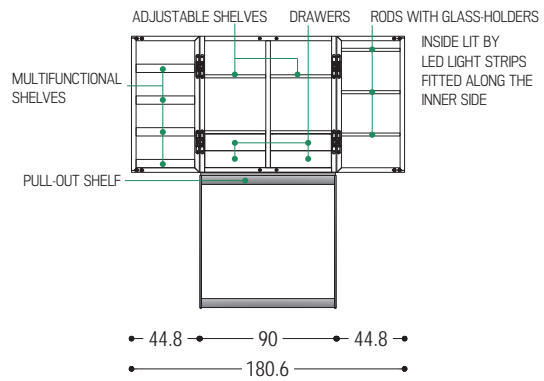
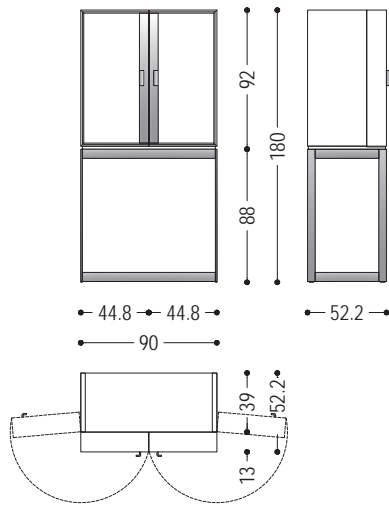
oak with knots pigmented: white milk, total black

B2: lacquered iron: iron dust, RAL (only selected colours)

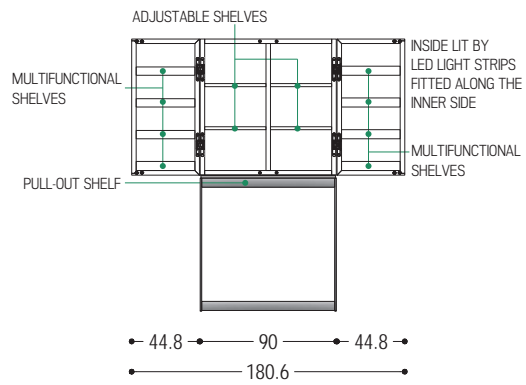
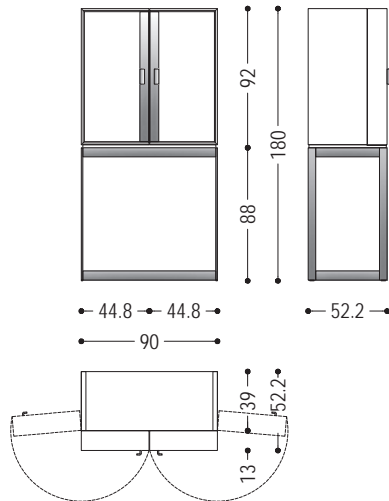
B3: lacquered iron matt brushed effect: aged bronze, stainless steel, titanium

CAMBUSA FLY

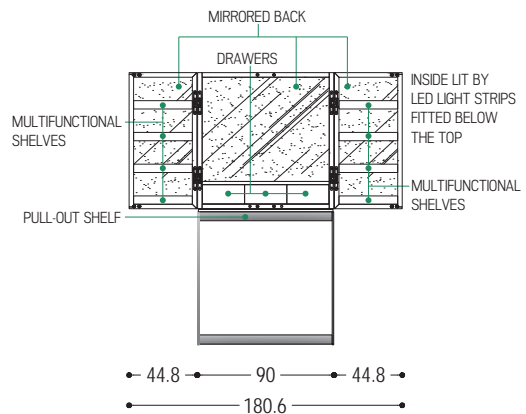
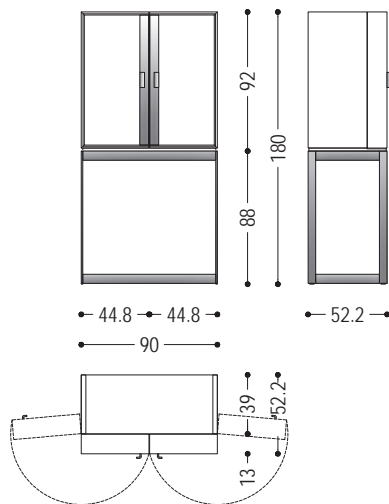
CAMBUSA FLY RESERVE



CAMBUSA FLY STORAGE



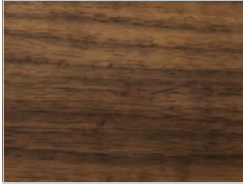
CAMBUSA FLY VANITY



CAMBUSA FLY | AVAILABLE FINISHES

WOOD

A1

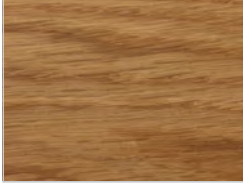


walnut without knots



walnut with knots

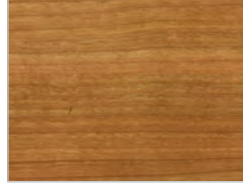
A2



oak without knots



oak with knots

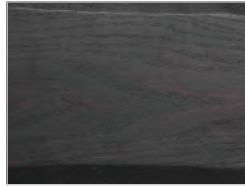


cherry

A4



oak without knots pigmented:
white milk



oak without knots pigmented:
total black



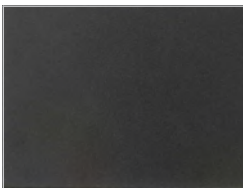
oak with knots pigmented:
white milk



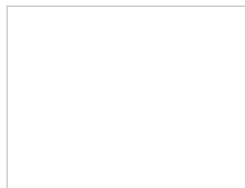
oak with knots pigmented:
total black

IRON

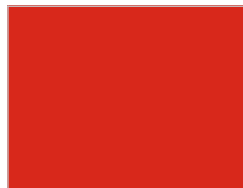
B2



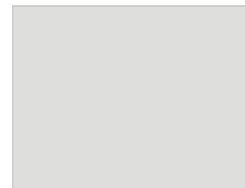
lacquered iron:
iron dust



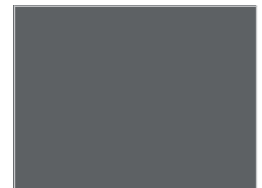
ferro laccato:
RAL - 1013_OYSTER WHITE



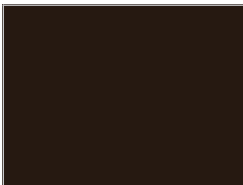
ferro laccato:
RAL - 3020_TRAFFIC RED



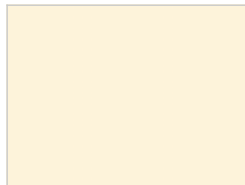
ferro laccato:
RAL - 7035_LIGHT GREY



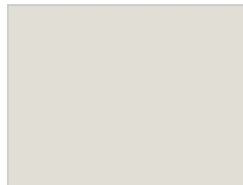
ferro laccato:
RAL - 7037_DUSTY GREY



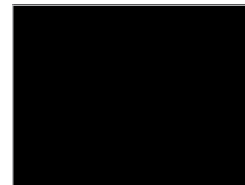
ferro laccato:
RAL - 8019_GREY BROWN



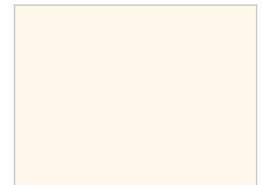
ferro laccato:
RAL - 9001_CREAM WHITE



ferro laccato:
RAL - 9002_GREY WHITE



ferro laccato:
RAL - 9005_JET BLACK



ferro laccato:
RAL - 9010_PURE WHITE



ferro laccato:
RAL - 9016_TRAFFIC WHITE

CAMBUSA FLY | AVAILABLE FINISHES

B3



lacquered iron, matt brushed effect:
aged bronze



lacquered iron, matt brushed effect:
stainless steel



lacquered iron, matt brushed effect:
titanium