



ARMAND *DESIGN CENTER* 2019
SECTIONAL SOFAS

ARMAND | DESIGN CENTER | 2019

Frame elements in metal with molded polyurethane padding, covered with a protective laminated fabric

Frame ottoman and armrests in solid wood with polyurethane foam padding, covered with a protective laminated fabric

Seat cushions in sterilized goose down (Assopiuma certified, gold label) with insert in high resilience crushproof material

Backrest cushions in sterilized goose down (Assopiuma certified, gold label) available with or without cushion support bolster in polyurethane foam, covered with a protective laminated fabric

Backrest cushions are upon request, with upcharge

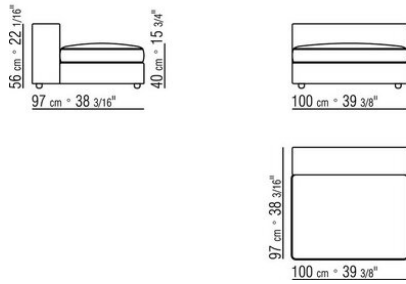
Codes 1lu91-1lu92 available in the 400 series leather only

Base in metal with satin, chrome, black chrome, burnished, glossy anthracite. Rests on pads made of thermoplastic material

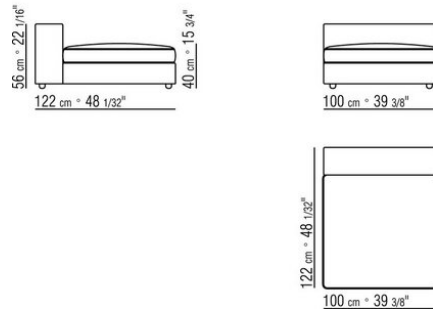
Upholstery is removable in both the fabric and leather versions

Piping - with fabric covers the piping comes in gros grain, available in all the colors on the sample board. With leather covers the piping comes always in the same leather.

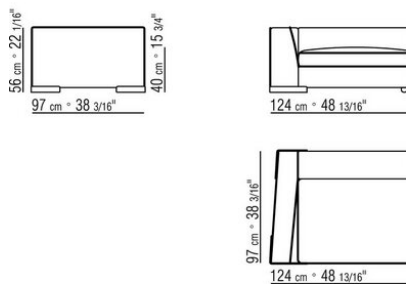
COD. 01LU03



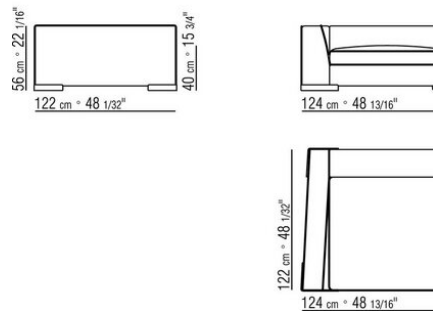
COD. 01LU05



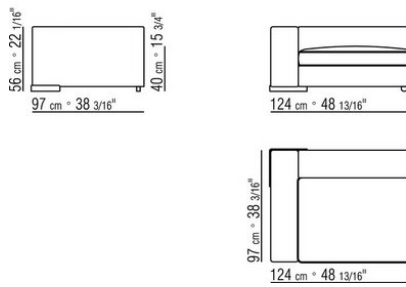
COD. 01LU13



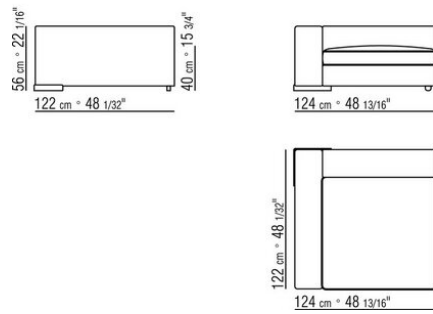
COD. 01LU15



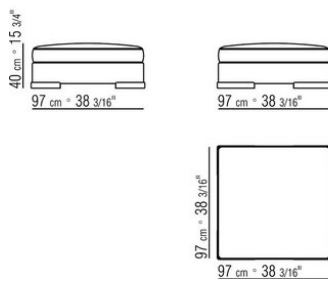
COD. 01LU23



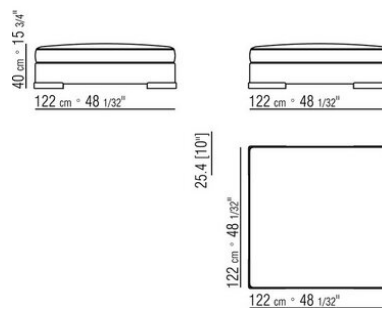
COD. 01LU25



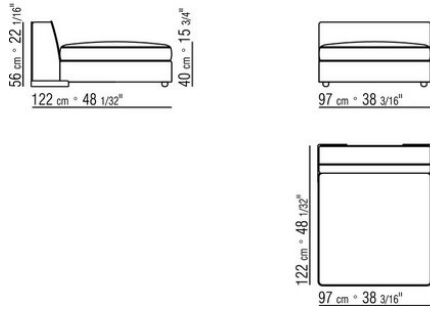
COD. 01LU50



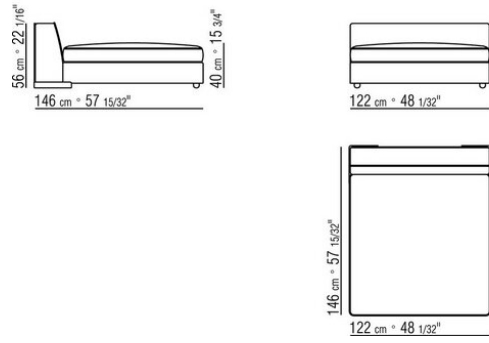
COD. 01LU51



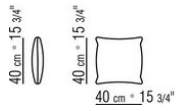
COD. 01LU55



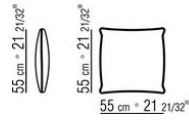
COD. 01LU56



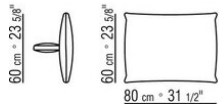
COD. 01LU93



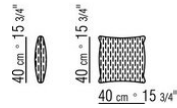
COD. 01LU94



COD. 01LU98



COD. 01LU91



COD. 01LU92

