

Tali coffee table



The beautiful form of the Timpilypa (music sticks) is emulated in this coffee table design. The legs are turned from solid spotted gum, and then hot-wire burned by Lulu Cooley.

Standard size; 1100 diameter x 370 (h)

Solid Spotted Gum frame clear finish

Hand turned Solid Spotted Gum legs with hand burnt motif –
Linseed oil finish

10mm Grey tinted Glass

NAME

Tali

MANUFACTURER

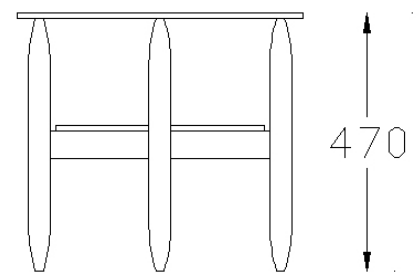
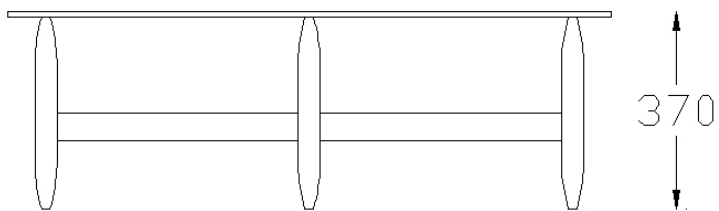
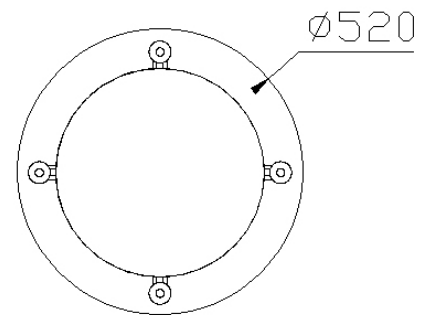
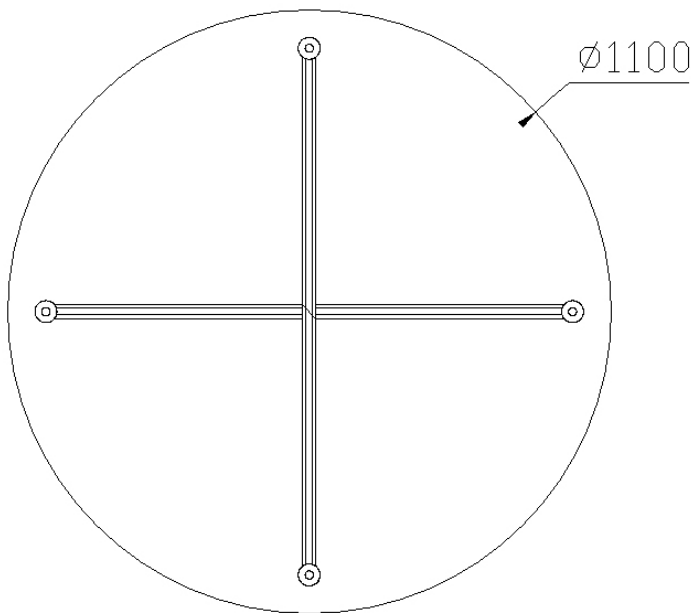
Altone

WARRANTY

10 years structural

Tali coffee table

SPECS



SYDNEY

269 Military Road, Cremorne 2090
02 9908 2660

MELBOURNE

681 Chapel Street, South Yarra 3141
03 9826 8777

FANULI
SYDNEY MELBOURNE EST 1976