

# BONALDO

## Dune

Designer: **Giuseppe Viganò**

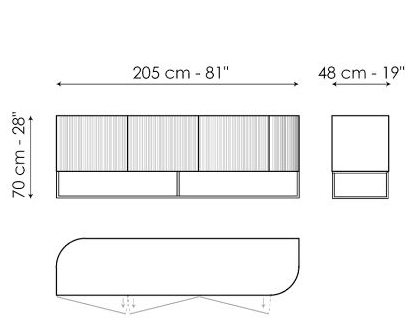


The wooden front doors feature a wavy surface that creates an alternation of light and shadow, while the metal base has an asymmetrical design that enhances the horizontal structure of the sideboard. Dune is a design wooden sideboard with a rigorous style, which is also extremely elegant and meticulously designed down to the last detail. It

is an element that fits perfectly into both a private home and an office. The Dune sideboard is available in two different colour combinations: bronze lacquered wood outer frame, Canaletto walnut doors and bronze-coloured metal base or lead lacquered wood outer frame, coal ash doors and lead-coloured metal base.



# Data sheet

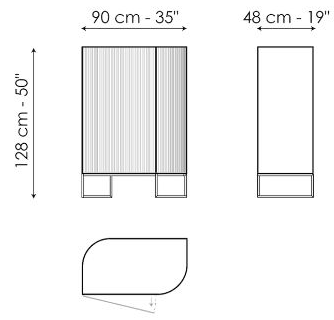


## Dune

Width: 205cm

Depth: 48cm

Height: 70cm



## Dune high

Width: 90cm

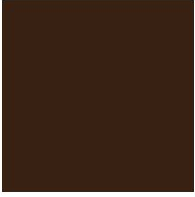
Depth: 48cm

Height: 128cm

# Finishes

## OUTSIDE FRAME

Wood



**Lacquered wood**  
Mat bronze



**Lacquered wood**  
Mat lead

---

## DOORS

Wood



**Veneered wood**  
Walnut Canaletto



**Veneered wood**  
Coal oak

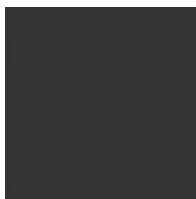
---

# BASE

Plus Metal



**Painted metal**  
Mat bronze



**Painted metal**  
Mat lead

---

You can find the complete collection of Bonaldo fabrics and leathers on the website <https://www.bonaldo.biz/>

