

BONALDO

Luigio

Designer: **Marconato and Zappa**

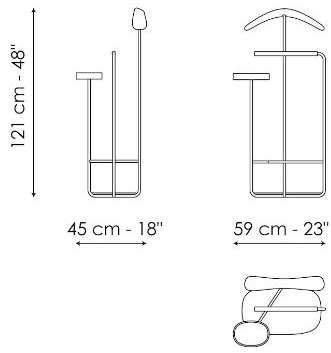


The Luigio modern valet stand designed by Marconato & Zappa offers an extra service for the sleeping area. Three tubular metal elements emerge from the oval-shaped ceramic base, at the ends of which wooden elements with well-defined functions are mounted. The first ends in a coat hanger, carved in solid wood while the second element curves to form a support for trousers, but can also be used as

a bag hook. The third, parallel to the first, ends with a storage container and a pocket emptier. In its formal elegance Luigio is a slender object ideal for giving order to the daily routine thanks to its practicality in use. The ceramic base is available in different finishes, even contrasting with the framework, thereby giving Luigio both a strong character and an original style.



Data sheet



Luigio

Width: 45cm

Depth: 59cm

Height: 121cm

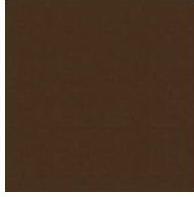
Finishes

STRUCTURE

Plus Metal



Painted metal
Mat lead



Painted metal
Mat bronze

COAT STAND UND TRAY

Wood



Solid wood
Walnut Canaletto

BASE

Ceramic



Mat ceramic
Ardesia grey



Glossy ceramic
Black Onyx



Glossy ceramic
Calacatta



Silk finish ceramic
Calacatta macchia
vecchia



Glossy ceramic
Imperial grey



Mat ceramic
Laurent



Glossy ceramic
Mountain peak



Glossy ceramic
Rosso imperiale

You can find the complete collection of Bonaldo fabrics and leathers on the website <https://www.bonaldo.biz/>

