



Multifunctional storage unit in blockboard, with four glass doors with aluminum frame. Internal fittings, designed to meet storage and functional needs, include glass shelves only or, in addition, two drawers in solid wood with grooved handle, assembled with traditional dovetail joints. The inside is illuminated by LED strips along the inner sides, activated automatically via sensors when the doors are opened.

CODE	SIZE	A1	A2	A4
PANDORA GLASS 2	W.124,9 x D.50,5 x H.92	■	■	■
PANDORA GLASS 3	W.185,4 x D.50,5 x H.92	■	■	■
PANDORA GLASS 4	W.245,9 x D.50,5 x H.92	■	■	■
PANDORA GLASS DRAWER 2	W.124,9 x D.50,5 x H.92	■	■	■
PANDORA GLASS DRAWER 3	W.185,4 x D.50,5 x H.92	■	■	■
PANDORA GLASS DRAWER 4	W.245,9 x D.50,5 x H.92	■	■	■

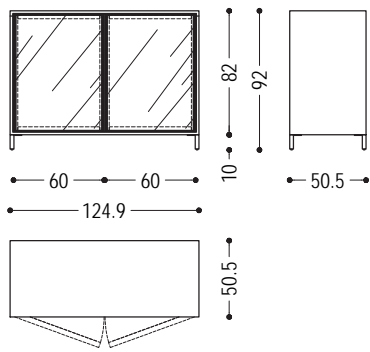
**AVAILABLE FINISHES:**

**A1:** walnut without knots, walnut with knots

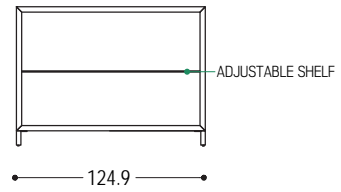
**A2:** oak without knots, oak with knots, cherry

**A4:** oak without knots pigmented: white milk, total black  
oak with knots pigmented: white milk, total black

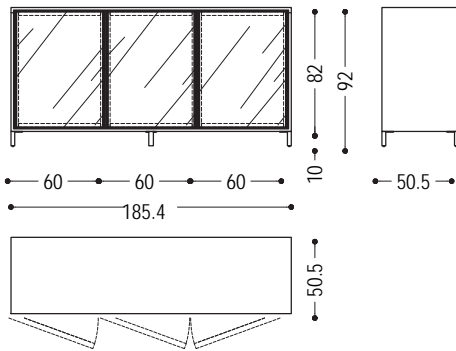
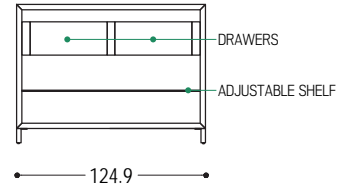
# PANDORA GLASS



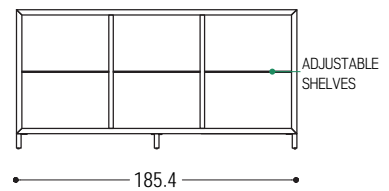
PANDORA GLASS 2



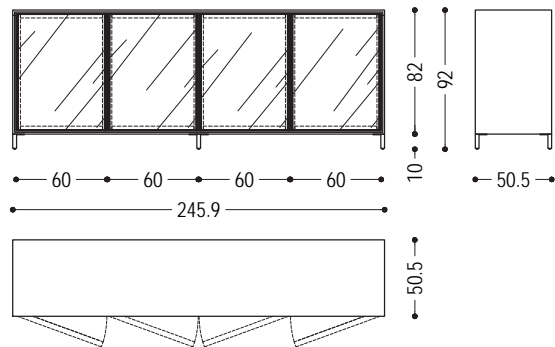
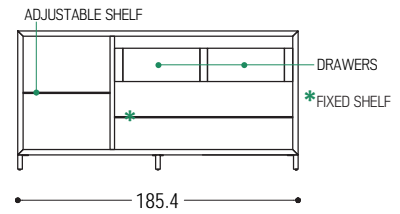
PANDORA GLASS DRAWER 2



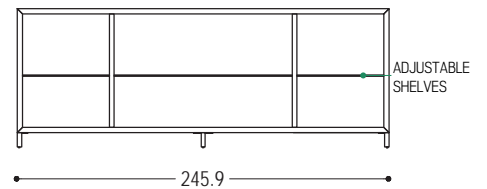
PANDORA GLASS 3



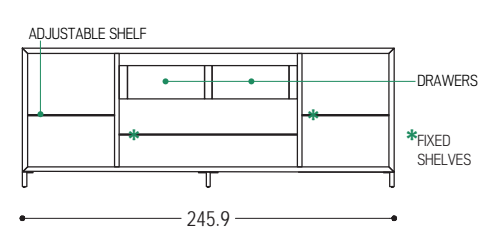
PANDORA GLASS DRAWER 3



PANDORA GLASS 4



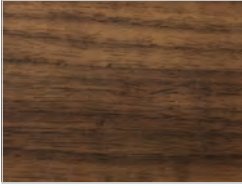
PANDORA GLASS DRAWER 4



# PANDORA GLASS | AVAILABLE FINISHES

## WOOD

A1

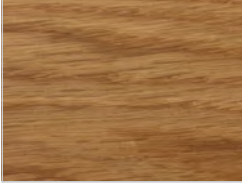


walnut without knots



walnut with knots

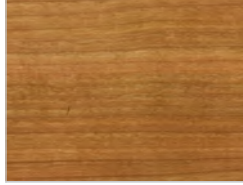
A2



oak without knots



oak with knots



cherry

A4



oak without knots pigmented:  
white milk



oak without knots pigmented:  
total black



oak with knots pigmented:  
white milk



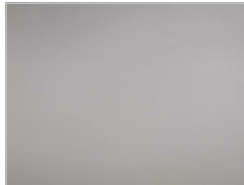
oak with knots pigmented:  
total black

## GLASS

E1



clear / extra clear glass



satin glass

E2



smoked glass



bronzed glass