

FLEXFORM



GREGORY | GREGORY XL *ANTONIO CITTERIO 2020*
CHAISE LONGUE/DORMEUSE

FLEXFORM Spa

Via Einaudi 23/25 20821 Meda (MB) Italy | Tel. +39 0362 3991 | info@flexform.it | www.flexform.it

GREGORY | GREGORY XL | ANTONIO CITTERIO | 2020

Structure in burnished or glossy anthracite finish with elastic webbing finished in black 5005, dark brown 5004, tobacco 5015 or grey 5003 color cowhide

Finish plus version structure in metal with satin, chrome or black chrome finish with elastic webbing finished in black 5005, dark brown 5004, tobacco 5015 or grey 5003 color cowhide

Seat cushions in polyester fiber with insert in single-density crushproof material

Backrest / armrest in metal with molded polyurethane and dacron padding, covered with a protective laminated fabric

Backrest cushions in sterilized goose down (Assopiuma certified, gold label) with polyurethane fiber support bolster

Optional cushions in sterilized goose down (Assopiuma certified, gold label); upon request, with upcharge

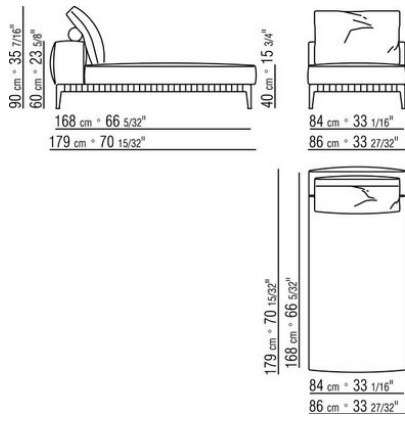
Feet in cast aluminum with burnished or glossy anthracite finish. Feet rest on tips made of thermoplastic material

Finish plus version feet in cast aluminum with satin, chrome or black chrome finish. Feet rest on tips made of thermoplastic material

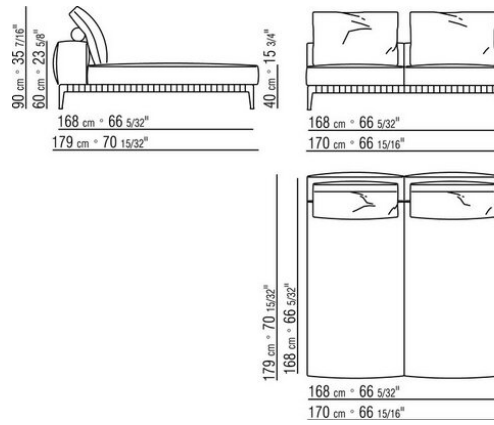
Upholstery is removable in both the fabric and leather versions

Piping in gros grain, available in all the colors on the sample board, for both fabric and leather covers

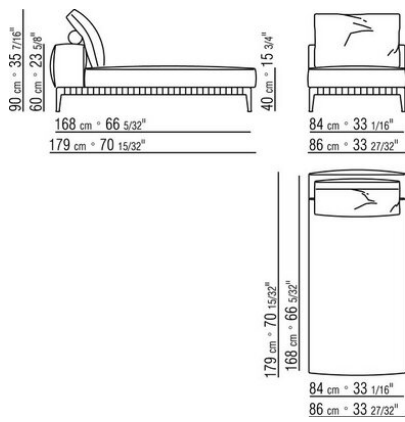
COD. 028730



COD. 028731



COD. 0287D0



COD. 0287D1

