

FLEXFORM



WING ANTONIO CITTERIO 2014
CHAISE LONGUE/DORMEUSE

FLEXFORM Spa

Via Einaudi 23/25 20821 Meda (MB) Italy | Tel. +39 0362 3991 | info@flexform.it | www.flexform.it

WING | ANTONIO CITTERIO | 2014

CHAISE LONGUE

Frame metal frame covered with hide leather: grey 5003, black 5005, olive 5006, russian red 5008, sand 5001, tobacco 5015, dark brown 5004, extra dark brown 5013. Also available in suede: olive 6003, dark brown 6004, black 6005, sand 6001. With a polyurethane mattress under the seating

Seat cushions in sterilized goose down (Assopiuma certified, gold label) with insert in crushproof material

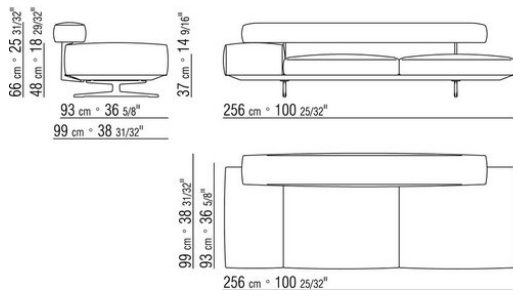
Backrest and armrest in metal and plywood padded with polyurethane foam and dacron

Feet/ backrest support in satined, chrome, black chrome, burnished, glossy anthracite aluminium. Rests on pads made of thermoplastic material

Optional throw pillows in sterilized goose down (Assopiuma certified, gold label). Optional throw pillows are upon request, with upcharge

Upholstery is removable in both the fabric and leather versions

COD. 020655



COD. 020631

