

# BONALDO

## Botón

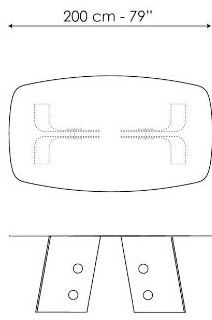


The name - "button" in Spanish – refers to the metal inserts applied to the base, which catch the attention due to the contrast they make with the table's overall image. The material of choice for Botón is fused tempered glass, a choice that accentuates the product's elegance and sophistication and which makes it the perfect piece to place in the centre of

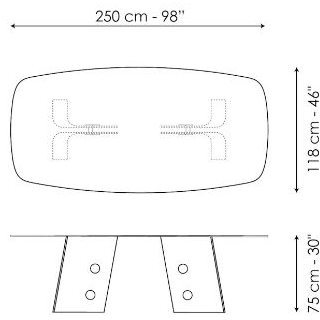
a space as the undisputed star of the dining room. The rounded rectangular top of the Botón table has a linear design, while each of the two legs that form the base is made of a pair of glass strips that extend outwards, forming an angle that gives this modern glass dining table stability.



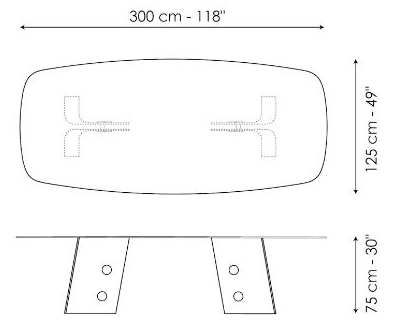
# Data sheet



Width: 200cm  
Depth: 110cm  
Height: 75cm



Width: 250cm  
Depth: 118cm  
Height: 75cm

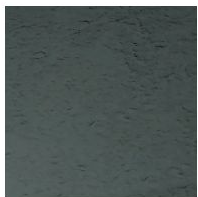


Width: 300cm  
Depth: 125cm  
Height: 75cm

# Finishes

## TOP AND BASE

Glass

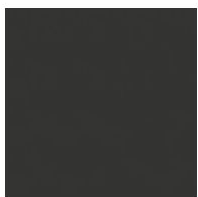


**Tempered cast  
glass**  
Smoked

---

## BASE INSERTS

Plus Metal



**Painted metal**  
Mat lead

---

Materials, fabrics, leathers, colors and finishes are approximate and may slightly differ from actual ones. You can find the complete collection of Bonaldo fabrics and leathers on the website <https://www.bonaldo.biz/>

