

BONALDO

Luna Bianca

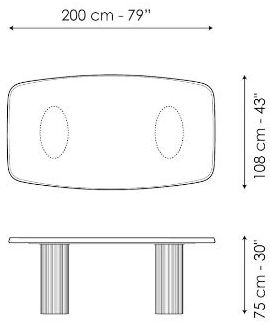


The image of a sailing boat rocking gently on the moonlit sea was the inspiration behind the design of Luna Bianca, the new modern dining table designed by Toshiyuki Yoshino. Seemingly linear, the top is made in ceramics and stands out for its edge with a lead or bronze finish that runs all around the perimeter, gently mirroring the inclination and thereby

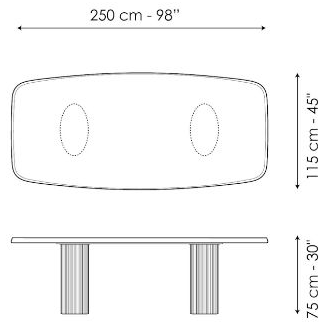
creating an elegant yet soft curve, like the hull of a sailing boat. The base consists of two “cage-style” structures shaped through a harmonious rhythm of slim metal tubes which, moving playfully between solids and voids, lightens this enchanting design table while at the same time giving a feeling of solidity and robustness.



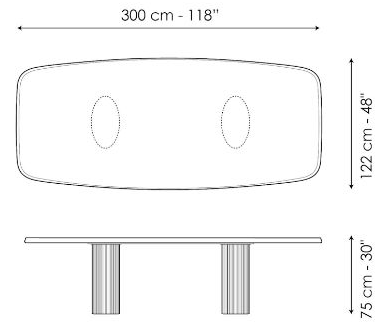
Data sheet



Width: 200cm
Depth: 108cm
Height: 75cm



Width: 250cm
Depth: 115cm
Height: 75cm



Width: 300cm
Depth: 122cm
Height: 75cm

Finishes

TOP

Ceramic



Mat ceramic
Ardesia grey



Glossy ceramic
Black Onyx



Glossy ceramic
Calacatta



Silk finish ceramic
Calacatta macchia
vecchia



Glossy ceramic
Imperial grey



Mat ceramic
Laurent



Glossy ceramic
Mountain peak



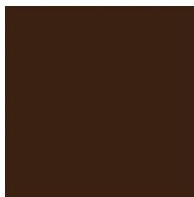
Glossy ceramic
Rosso imperiale

TOP EDGE

Wood



Lacquered wood
Mat lead



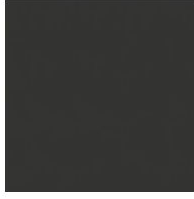
Lacquered wood
Mat bronze

BASE

Plus Metal

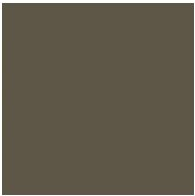


Painted metal
Mat bronze

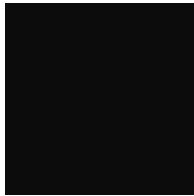


Painted metal
Mat lead

Special Metal



Metal finish
Brown nickel



Metal finish
Dark nickel

Materials, fabrics, leathers, colors and finishes are approximate and may slightly differ from actual ones. You can find the complete collection of Bonaldo fabrics and leathers on the website <https://www.bonaldo.biz/>

