

BONALDO

Zen

Designer: **Marconato and Zappa**

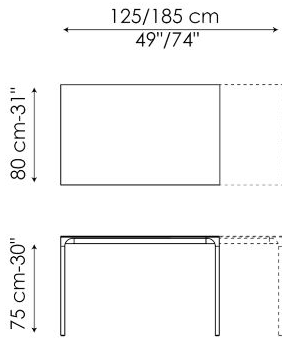


The result of the collaboration between Bonaldo and Studio Marconato & Zappa, the Zen table is a minimalist design table yet with a powerful impact. It is a simple table, clean in its shapes, with modern lines that adapt perfectly to any type of environment, from the most traditional to the most contemporary one. The thin, slender and resistant shapes and the possibility of extending the top make it a table suitable for

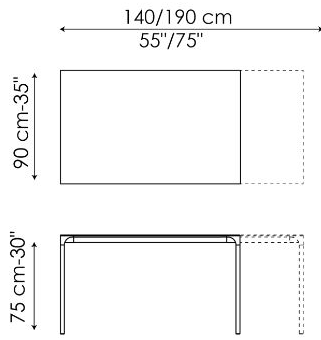
both the kitchen and office areas. The main element is essentiality: starting from the name “Zen” up to the choice of materials, painted metal for the base and glass or lacquered wood for the top. The extensions, in lacquered wood, allow the surface to be extended, creating a convenient additional space; thanks to the lateral movement, the legs are placed at the edge of the top and do not obstruct seating.



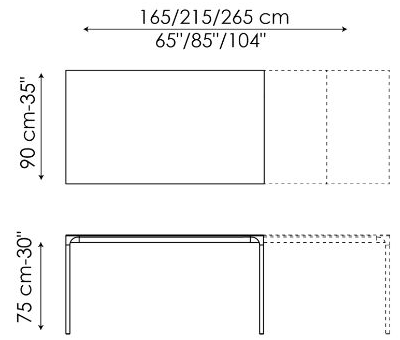
Data sheet



Width: 125-185cm
Depth: 80cm
Height: ± 75cm



Width: 140-190cm
Depth: 90cm
Height: ± 75cm



Width: 165-215-265cm
Depth: 90cm
Height: ± 75cm

Finishes

TOP

Wood



Lacquered wood
Mat white

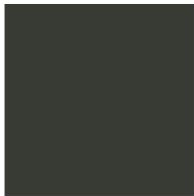


Lacquered wood
Mat anthracite grey

Opaque Glass



Glass
Extra-light acid-
treated white



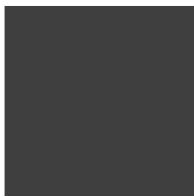
Glass
Acid-treated
anthracite grey

LEAF

Wood



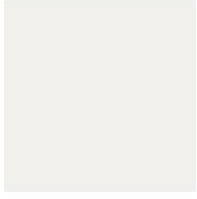
Lacquered wood
Mat white



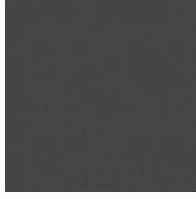
Lacquered wood
Mat anthracite grey

LEGS

Metal



Painted metal
Mat white



Painted metal
Supreme anthracite

Materials, fabrics, leathers, colors and finishes are approximate and may slightly differ from actual ones. You can find the complete collection of Bonaldo fabrics and leathers on the website

