

BONALDO

Blend bed

Designer: **Giuseppe Viganò**

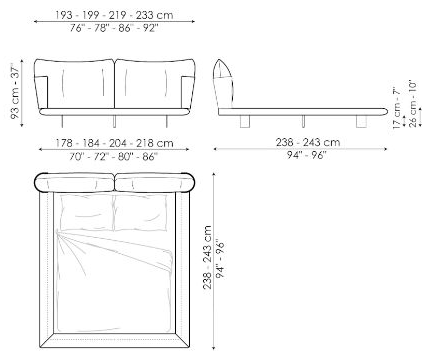


The modern Blend bed: a strong and distinctive item. A headboard that plays on the combined design of an emery leather section and the softness of the cushioning. The composition of the structure adds value to the upholstered section, creating a rigorous line that widens upwards from the bottom, merging with the welcoming padded headrest,

consisting of two big cushions. The overall effect is of a solution characterised by an elegant image and gentle composition. The emery leather section is an important aesthetic feature, a sort of frame that uses research into materials to create shapes that share a contemporary, elegant, dynamic, welcoming and soft feel.



Data sheet

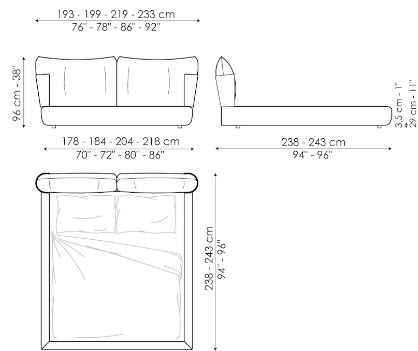


Blend bed

Width: 193-199-219-233cm

Depth: 238-243cm

Height: 96cm

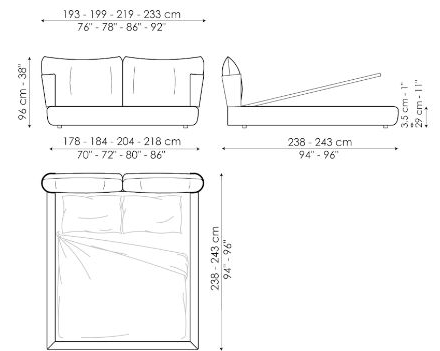


Blend bed plus

Width: 193-199-219-233cm

Depth: 238-243cm

Height: 96cm



Blend bed open

Width: 193-199-219-233cm

Depth: 238-243cm

Height: 96cm

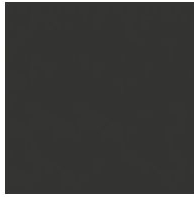
Finishes

FEET - BLEND BED

Plus Metal



Painted metal
Mat bronze

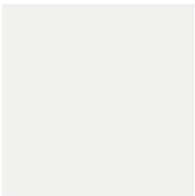


Painted metal
Mat lead

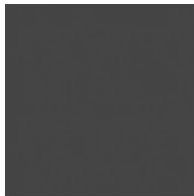


Painted metal
Mat pearl gold

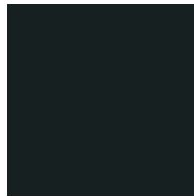
Metal



Painted metal
Mat white



Painted metal
Supreme anthracite



Painted metal
Mat black



Painted metal
Mat dove grey

FEET - BLEND BED PLU, BLEND BED OPEN

Metal



Painted metal
Supreme anthracite



Materials, fabrics, leathers, colors and finishes are approximate and may slightly differ from actual ones. You can find the complete collection of Bonaldo fabrics and leathers on the website

