



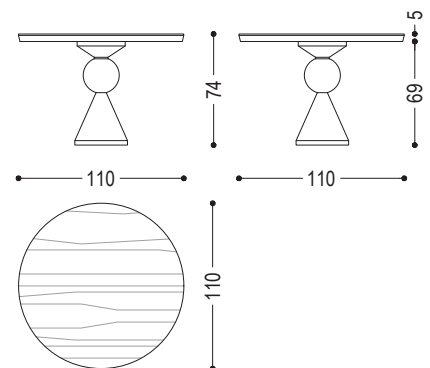
Table featuring a top made of edge-glued solid cedar staves. The base, also crafted from solid cedar and carved from a single block, is composed of a slender cone at the base, a central sphere and a flattened cone beneath the top, creating a dynamic interplay of contrasting forms and defining a sculptural support with strong material presence and striking visual impact.

CODE	SIZE	A7	A9
CIRCUS	Ø 110 x H.74	■	■

AVAILABLE FINISHES

A7: cedar

A9: cedar contract finish, vulcano cedar



WOOD

A7



cedarwood

A9



cedarwood contract finish



vulcano cedarwood