



Side table featuring a top made of solid wood and blockboard, machined with a routed detail that defines a perimeter frame within which a marble slab is set. The base is composed of support elements arranged orthogonally, creating a clean, sculptural structure. Available in different heights, with either a round or oval top.

CODE	SIZE	TOP	A1	A2
SUISEKI-ST-MARBLE 1	Ø70 x H.31	F1	■	■
		F2	■	■
SUISEKI-ST-MARBLE 2	Ø70 x H.38	F1	■	■
		F2	■	■
SUISEKI-ST-MARBLE 3	Ø70 x H.46	F1	■	■
		F2	■	■
SUISEKI-ST-MARBLE 4	Ø90 x H.31	F1	■	■
		F2	■	■
SUISEKI-ST-MARBLE 5	Ø 90 x H.38	F1	■	■
		F2	■	■
SUISEKI-ST-MARBLE 6	Ø90 x H.46	F1	■	■
		F2	■	■
SUISEKI-ST-MARBLE 7	W.145 x D.90 x H.31	F1	■	■
		F2	■	■
SUISEKI-ST-MARBLE 8	W.145 x D.90 x H.38	F1	■	■
		F2	■	■
SUISEKI-ST-MARBLE 9	W.145 x D.90 x H.46	F1	■	■
		F2	■	■

AVAILABLE FINISHES

A1: walnut without knots

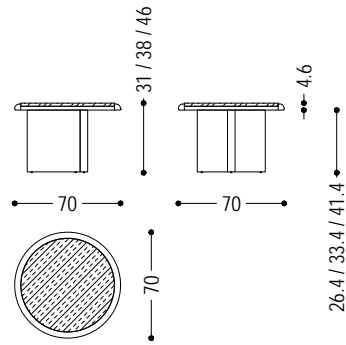
A2: oak without knots, cherry

F1: verde alpi marble, carrara marble, emperador dark marble, sahara noir stoneware

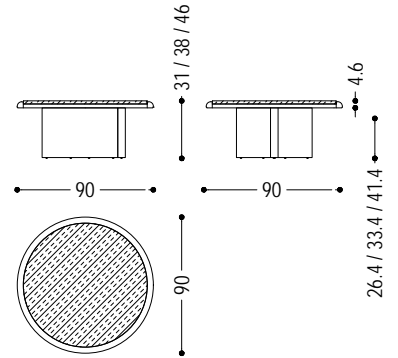
F2: calacatta marble

SUISEKI SIDE TABLE MARBLE

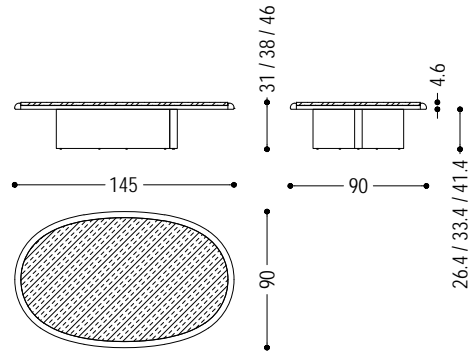
SUISEKI-ST-MARBLE 1/2/3



SUISEKI-ST-MARBLE4/5/6



SUISEKI-ST-MARBLE 7/8/9





Solid wood side table featuring a top machined with a routed detail that defines a perimeter frame and a slightly recessed central surface carved directly into the wood. The base is composed of support elements arranged orthogonally, creating a clean, sculptural structure. Available in different heights, with either a round or oval top.

CODE	SIZE	A1	A2
SUISEKI-ST-WOOD 1	Ø70 x H.31	■	■
SUISEKI-ST-WOOD 2	Ø70 x H.38	■	■
SUISEKI-ST-WOOD 3	Ø70 x H.46	■	■
SUISEKI-ST-WOOD 4	Ø90 x H.31	■	■
SUISEKI-ST-WOOD 5	Ø 90 x H.38	■	■
SUISEKI-ST-WOOD 6	Ø90 x H.46	■	■
SUISEKI-ST-WOOD 7	W.145 x D.90 x H.31	■	■
SUISEKI-ST-WOOD 8	W.145 x D.90 x H.38	■	■
SUISEKI-ST-WOOD 9	W.145 x D.90 x H.46	■	■

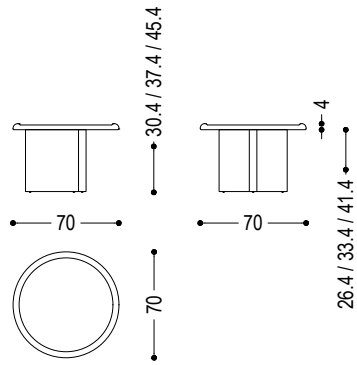
AVAILABLE FINISHES

A1: walnut without knots

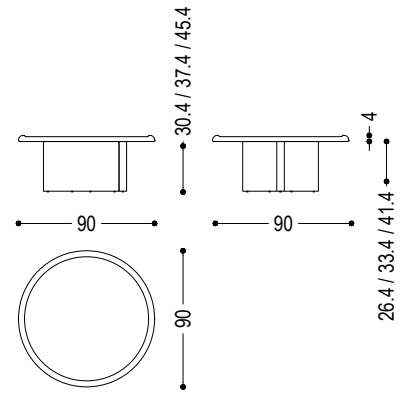
A2: oak without knots, cherry

SUISEKI SIDE TABLE WOOD

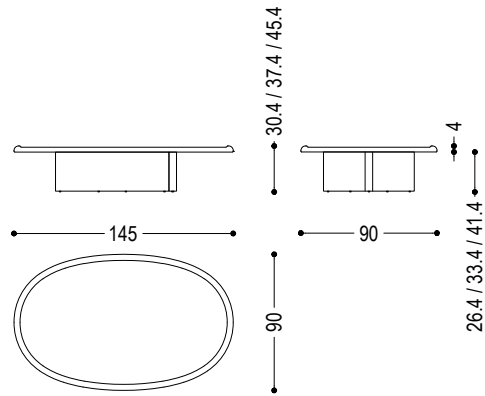
SUISEKI-ST-WOOD 1/2/3



SUISEKI-ST-WOOD 4/5/6



SUISEKI-ST-WOOD 7/8/9



SUISEKI SIDE TABLE | AVAILABLE FINISHES

WOOD

A1



walnut without knots

A2



oak without knots



cherry

OTHER MATERIALS

F1



verde alpi marble



carrara marble



emperador dark marble



sahara noir stoneware

F2



calacatta marble